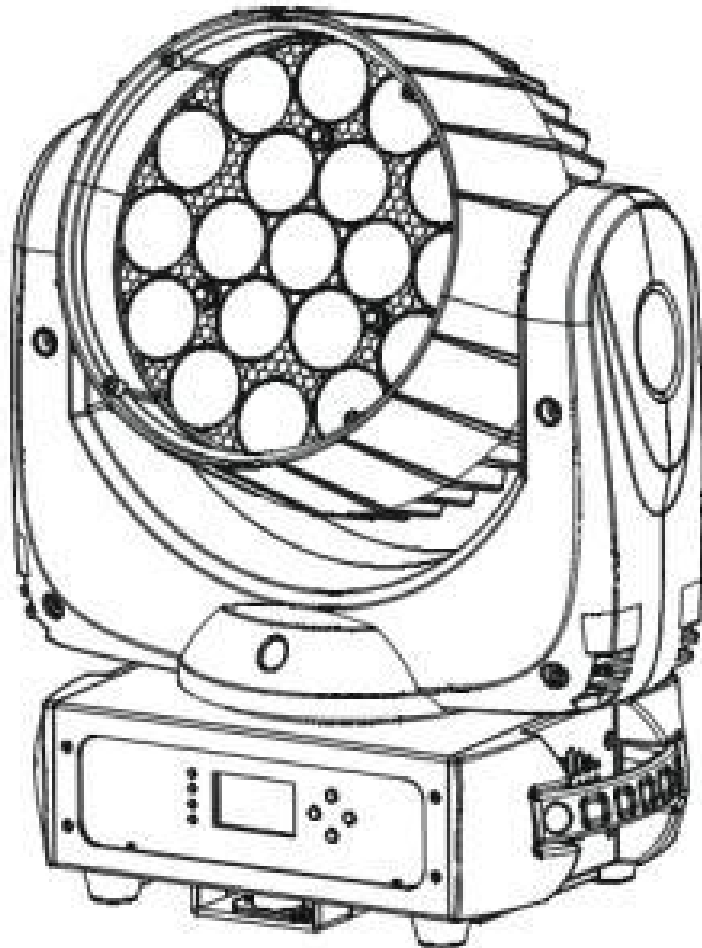


# WASHZOOM1915

---

285W RGBW 4in1 LED WASH



**User Manual**

---

Professional Entertainment Technology

## WARNING



### WARNING

Please read carefully the instruction, which includes important information about the installation, usage and maintenance.

Please keep this User Guide for future consultation. If you sell the unit to another user, be sure that they also receive this instruction booklet.

Unpack and check carefully there is no transportation damage before using the unit.

Before operating, ensure that the voltage and frequency of power supply match the power requirements of the unit.

It's important to ground the yellow/green conductor to earth in order to avoid electric shock.

The unit is for indoor use only. Use only in a dry location.

The unit must be installed in a location with adequate ventilation, at least 50cm from adjacent surfaces. Be sure that no ventilation slots are blocked.

Disconnect main power before replacement or servicing.

Make sure there are no flammable materials close to the unit while operating as it is fire hazard.

Use safety cable when fixes this unit. DO NOT handle the unit by taking its head only, but always by taking its base.

Maximum ambient temperature is 40°C . DO NOT operate it where the temperature is higher than this.

Unit surface temperature may reach up to 85°C . DO NOT touch the housing bare-hand during its operation. Turn off the power and allow about 15 minutes for the unit to cool down before replacing or serving.

In the event of serious operating problem, stop using the unit immediately. Never try to repair the unit by yourself. Repairs carried out by unskilled people can lead to damage or malfunction. Please contact the nearest authorized technical assistance center. Always use the same type spare parts.

DO NOT touch any wire during operation as high voltage might be causing electric shock. Please read carefully the instruction, which includes important information about the installation, usage and maintenance.

## Installation

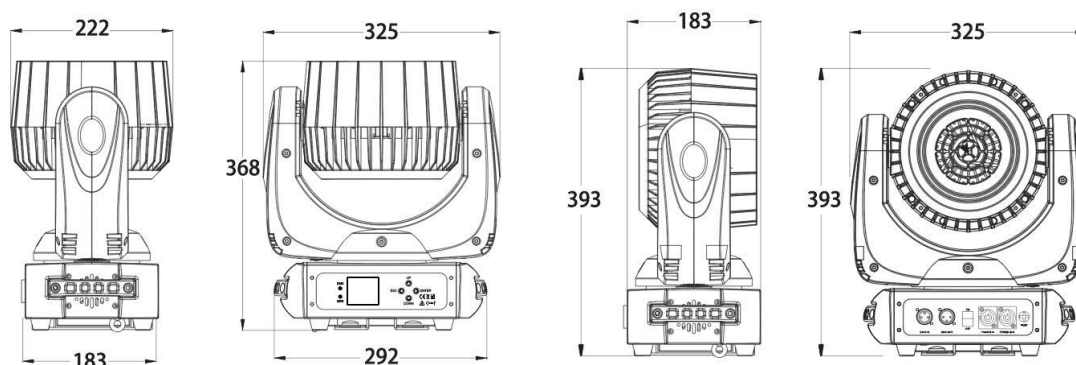
The unit should be mounted via its screw holes on the bracket. Always ensure that the unit is firmly fixed to avoid vibration and slipping while operating. And make sure that the structure to which you are attaching the unit is secure and is able to support a weight of 10 times of the unit's weight. Also always use a safety cable that can hold 12 times of the weight of the unit when installing the fixture.

The equipment must be fixed by professionals. And it must be fixed at a place where is out of the touch of people and has no one pass by or under it.

## Technical Specifications

- ◇ Beam Angel: 6 ~50 motorized zoom
- ◇ DMX Channels: 13 /24 channels mode
- ◇ Operation modes: DMX512, Master/Slave
- ◇ Great built-in lighting shows under Master/Slave mode
- ◇ LCD display for easy navigation
- ◇ Perfect for stage, theater, TV studio, rental and discotheques
- ◇ Voltage: AC 100V~240V, 50/60Hz
- ◇ Power consumption: 300W
- ◇ LED: 1 9 X 1 5W RGBW 4-in-1 LEDs
- ◇ Dimension: 292\*183\*393cm
- ◇ Weight: 9.7Kgs

## Dimension Drawings



## LED indicators

POWER	ON	Power On
NULL		No function
NULL		No function
DMX	ON	DMX input present

## Menu Buttons

MENU	To select the programming functions
DOWN	To go backward in the selected functions
UP	To go forward in the selected functions
ENTER	To confirm the selected functions

**DMX input:**

For DMX512 link, use 3-pin XLR cable to link the unit together.

**DMX output:**

For DMX512 link, use 3-pin XLR cable to link the unit together.

**Mains input:**

Connect to power supply.

**Mains output:**

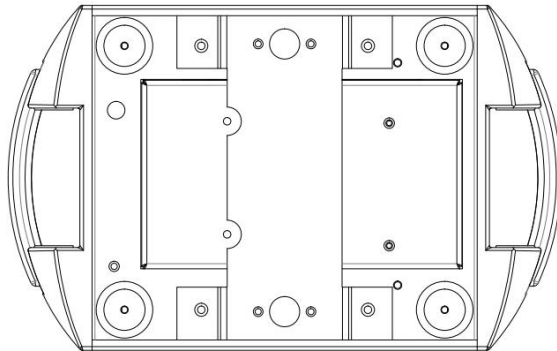
Connect to supply power to the next unit.

**Fuse(T 4A):**

Protect the unit from damage of the over-current.

**Clamp Mounting :**

The LED moving head provides a unique mounting bracket assembly that integrates the bottom of the base, the included 'omega bracket' (see the following pic) and the safety cable rigging point in one unit.



**MENU**

DMX512 Address	001~512	Set DMX address		
Run Mode	DMX 13 Ch	Select DMX mode		
	DMX 24 Ch			
	Auto	Auto Mode 1	Select mode	Auto
		Auto Mode 2		
		Auto Mode 3		
		Auto Mode 4		
		Auto Mode 5		
Auto Mode 6				

		Auto Mode 7		
		Auto Mode 8		
	Sound			
	Master Auto		Auto Mode 1	
			Auto Mode 2	
			Auto Mode 3	
			Auto Mode 4	
			Auto Mode 5	
			Auto Mode 6	
			Auto Mode 7	
	Auto Mode 8			
Master Sound				
Slave				
<b>Test Mode</b>	PAN			
	TILT			
	Focus			
	Red1			
	Green1			
	Blue1			
	White1			
	Red2			
	Green2			
	Blue2			
	White2			
	Red3			
	Green3			
	Blue3			
	White3			
<b>Language</b>	Chinese			
	English			
<b>Setup</b>	Pan Reverse	Yes/No		
	Tilt Reverse	Yes/No		
	Display Reverse	Yes/No		
	Sound Sensitive	= 000		
	Factory Set	Factory defaults		
	Reset Motor	Yes/No		
	Home Position	Password	Code =018	
		PAN	PAN	

		=000
		TILT =000
		Red
		Green
		Blue
		White
		Zoom
<b>Sys Info</b>	on Time	
	Total Time	
	Firmware Version	
	Running Mode	
	Address	
	Temperature	

## MODE CHANNEL

### 13-CHANNEL MODE

Channel	DMX Value	Function
1	000-255	Pan 0-540°
2	000-255	Tilt 0-270°
3	000-255	Master Dimmer 0-100%
4	Strobe	
	000-009	Strobe closed
	010-250	Strobe slow to fast
	251-255	Strobe open
5	000-255	Red 0-100%
6	000-255	Green 0-100%
7	000-255	Blue 0-100%
8	000-255	White 0-100%
9	000-255	Zoom 0-100%
10	Color temperature	
	000-009	No function
	010-255	3200K-10000K
11	Color Macro	
	000-007	No function

	008-012	Color1
	013-017	Color2
	018-022	Color3
	023-027	Color4
	028-032	Color5
	033-037	Color6
	038-042	Color7
	043-047	Color8
	048-052	Color9
	053-057	Color10
	058-062	Color11
	063-067	Color12
	068-072	Color13
	073-077	Color14
	078-082	Color15
	083-087	Color16
	088-092	Color17
	093-097	Color18
	098-102	Color19
	103-107	Color20
	108-112	Color21
	113-117	Color22
	118-122	Color23
	123-181	Color Jump From Slow To Fast
	182-240	Color Fade From Slow To Fast
	241-255	Sound activated
	Zoom Macro	
	000-009	No function
	010-039	Zoom auto run 1
	040-069	Zoom auto run 2
	070-099	Zoom auto run 3
12	100-129	Zoom auto run 4
	130-159	Zoom auto run 5
	160-189	Zoom auto run 6
	190-219	Zoom auto run 7
	220-255	Zoom auto run 8
	Pan/Tilt Macro	
13	0-10	No function
	11-20	Pan/Tilt Auto Run 1

21-30	Pan/Tilt Auto Run 2
31-40	Pan/Tilt Auto Run 3
41-50	Pan/Tilt Auto Run 4
51-60	Pan/Tilt Auto Run 5
61-70	Pan/Tilt Auto Run 6
71-80	Pan/Tilt Auto Run 7
81-90	Pan/Tilt Auto Run 8
91-230	Pan/Tilt Sound activated
231-240	Reset after 3 seconds
241-255	No function

## 24-CHANNEL MODE

Channel	DMX Value	Function
1	000-255	Pan 0-540°
2	000-255	Pan Fine
3	000-255	Tilt 0-270°
4	000-255	Tilt Fine
5	000-255	Pan/Tilt Speed fast to slow
6	000-255	Master Dimmer 0-100%
7	Strobe	
	000-009	Strobe closed
	010-250	Strobe slow to fast
	251-255	Strobe open
8	000-255	Red1 0-100%
9	000-255	Green1 0-100%
10	000-255	Blue1 0-100%
11	000-255	White1 0-100%
12	000-255	Red2 0-100%
13	000-255	Green2 0-100%
14	000-255	Blue2 0-100%
15	000-255	White2 0-100%
16	000-255	Red3 0-100%
17	000-255	Green3 0-100%
18	000-255	Blue3 0-100%
19	000-255	White3 0-100%
20	000-255	Zoom 0-100%



21	Color temperature	
	000-009	No function
	010-255	3200K-10000K
22	Color Macro	
	000-007	Empty
	008-012	Color1
	013-017	Color2
	018-022	Color3
	023-027	Color4
	028-032	Color5
	033-037	Color6
	038-042	Color7
	043-047	Color8
	048-052	Color9
	053-057	Color10
	058-062	Color11
	063-067	Color12
	068-072	Color13
	073-077	Color14
	078-082	Color15
	083-087	Color16
	088-092	Color17
	093-097	Color18
	098-102	Color19
	103-107	Color20
	108-112	Color21
113-117	Color22	
118-122	Color23	
123-181	Color Jump From Slow To Fast	
182-240	Color Fade From Slow To Fast	
241-255	Sound activated	
23	Zoom Macro	
	000-009	No function
	010-039	Zoom auto run 1
	040-069	Zoom auto run 2
	070-099	Zoom auto run 3
	100-129	Zoom auto run 4
	130-159	Zoom auto run 5
	160-189	Zoom auto run 6

	190-219	Zoom auto run 7
	220-255	Zoom auto run 8
24	Pan/Tilt Macro	
	0-10	No function
	11-20	Pan/Tilt Auto Run 1
	21-30	Pan/Tilt Auto Run 2
	31-40	Pan/Tilt Auto Run 3
	41-50	Pan/Tilt Auto Run 4
	51-60	Pan/Tilt Auto Run 5
	61-70	Pan/Tilt Auto Run 6
	71-80	Pan/Tilt Auto Run 7
	81-90	Pan/Tilt Auto Run 8
	91-230	Pan/Tilt Sound activated
	231-240	Reset after 3 seconds
	241-255	No function