

# SPLASH760ZOOM

---

520W RGB Wash Moving Head IP65



**USER MANUAL**

## **SAFETY PRECAUTIONS**

This fixture is a sophisticated piece of electronic equipment. To guarantee a smooth operation, it is important to follow all instructions and guidelines in this manual. Professional is not responsible for injuries and/or damages resulting from the misuse of this fixture due to the disregard of the information printed in this manual. Only qualified and/or certified personnel should perform installation of this fixture and only the original rigging parts included with this fixture should be used for installation. Any modifications to the fixture and/or the included mounting hardware will void the original manufacturer's warranty and increase the risk of damage and/or personal injury.



**PROTECTION CLASS 1 - FIXTURE MUST BE PROPERLY GROUNDED.**



**THERE ARE NO USER SERVICEABLE PARTS INSIDE THIS UNIT. DO NOT ATTEMPT ANY REPAIRS YOURSELF, AS DOING SO WILL VOID YOUR MANUFACTURER'S WARRANTY. DAMAGES RESULTING FROM MODIFICATIONS TO THIS FIXTURE AND/OR THE DISREGARD OF SAFETY INSTRUCTIONS AND GUIDELINES IN THIS MANUAL VOID THE MANUFACTURER'S WARRANTY AND ARE NOT SUBJECT TO ANY WARRANTY CLAIMS AND/OR REPAIRS.**



**DO NOT PLUG FIXTURE INTO A DIMMER PACK!  
NEVER OPEN THIS FIXTURE WHILE IN USE!  
UNPLUG POWER BEFORE SERVICING FIXTURE!  
NEVER TOUCH FIXTURE DURING OPERATION, AS IT MAY BE HOT! KEEP FLAMMABLE MATERIALS AWAY FROM FIXTURE!**



**NEVER LOOK DIRECTLY INTO THE LIGHT SOURCE!  
RETINA INJURY RISK - MAY INDUCE BLINDNESS!  
SENSITIVE PERSONS MAY SUFFER AN EPILEPTIC SHOCK!**



**ENSURE ALL CONNECTIONS AND END CAPS ARE PROPERLY SEALED WITH A DIELECTRIC GREASE (AVAILABLE AT MOST ELECTRICAL SUPPLIERS) TO PREVENT WATER CORROSION AND/OR ELECTRICAL SHORT CIRCUIT.**



**MINIMUM DISTANCE TO OBJECTS/SURFACES  
MUST BE 3.3 FEET (1 METER)  
MAXIMUM TEMP OF EXTERNAL SURFACE 185 ° F (85 ° C)  
MINIMUM DISTANCE OF FLAMMABLE MATERIALS FROM THE SURFACE IS 1.6 FEET (0.5 METER)**

## **SAFETY PRECAUTIONS**

- DO NOT TOUCH the fixture housing during operation. Turn OFF the power and allow approximately 15 minutes for the fixture to cool down before servicing.
- DO NOT shake fixture, and avoid brute force when installing and/or operating fixture.
- DO NOT operate fixture if the power cord is frayed, crimped, damaged and/or if any of the power cord connectors are damaged and do not insert into the fixture securely with ease.
- NEVER force a power cord connector into the fixture. If the power cord or any of its connectors are damaged, replace it immediately with a new one of the same power rating.
- DO NOT block any air ventilation slots.
- All fan and air inlets must remain clean and never blocked.
- Allow approx. 6" (15cm) between fixture and other devices or a wall for proper cooling.
- Always disconnect fixture from main power source before performing any type of service and/or cleaning procedure.
- Only handle the power cord by the plug end. Never pull out the plug by tugging the wire portion of the cord.
- During the initial operation of this fixture, a light smoke or smell may emit from the interior of the fixture. This is a normal process and is caused by excess paint in the interior of the casing burning off from the heat associated with the lamp and will decrease gradually over time.
- Consistent operational breaks will ensure fixture will function properly for many years .
- ONLY use the original packaging and materials to transport the fixture in for service.

# MAINTENANCE GUIDELINES



**DISCONNECT POWER BEFORE PERFORMING ANY MAINTENANCE!**

## CLEANING

Frequent cleaning is recommended to ensure proper function, optimized light output, and an extended life. The frequency of cleaning depends on the environment in which the fixture operates: damp, smoky or particularly dirty environments can cause greater accumulation of dirt on the fixture's optics. Periodically clean the external lens surface with a soft cloth to avoid dirt/debris accumulation. **NEVER** use alcohol, solvents, or ammonia-based cleaners .

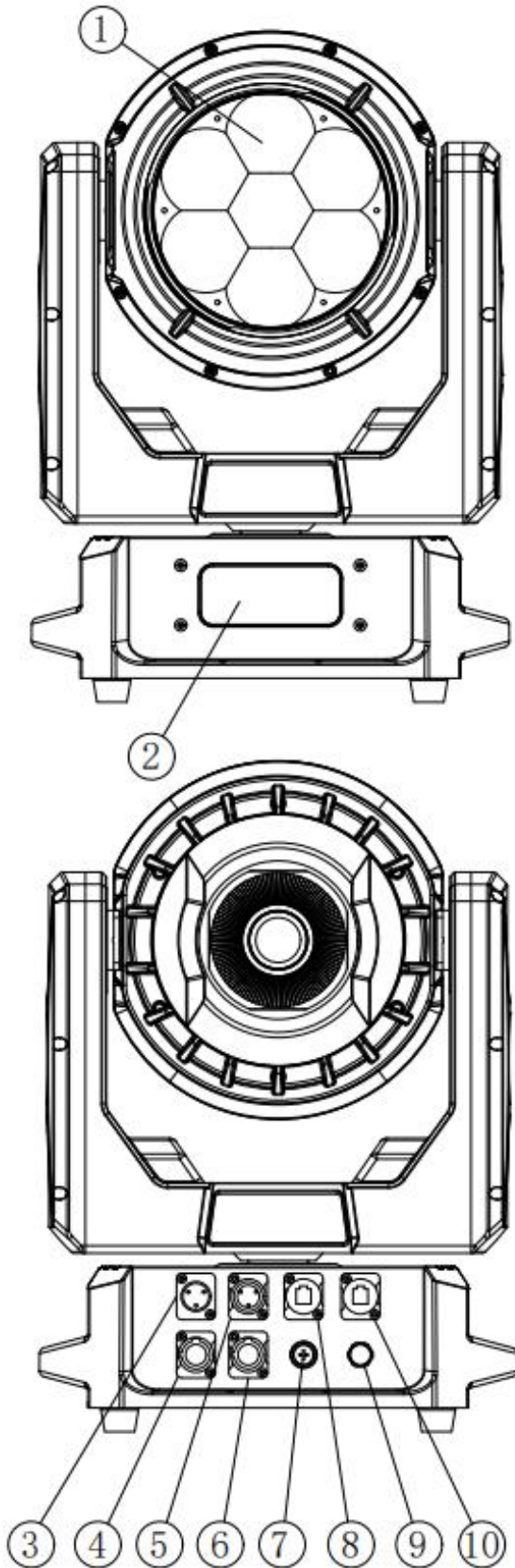
## MAINTENANCE

Regular inspections are recommended to ensure proper function and extended life. There are no user serviceable parts inside this fixture. Please refer all other service issues to an authorized our service technician. Should you need any spare parts, please order genuine parts from your local dealer.

Please refer to the following points during routine inspections:

- A detailed electric check by an approved electrical engineer every three months, to make sure the circuit contacts are in good condition and prevent overheating.
- Be sure all screws and fasteners are securely tightened at all times. Loose screws may fall out during normal operation, resulting in damage or injury as larger parts could fall.
- Check for any deformations on the housing, color lenses, rigging hardware, and rigging points (ceiling, suspension, trussing). Deformations in the housing could allow for dust to enter into the fixture. Damaged rigging points or unsecured rigging could cause the fixture to fall and seriously injure a person(s).
- Electric power supply cables must not show any damage, material fatigue or sediments. **NEVER** remove the ground prong from the power cable.

# OVERVIEW



**1. Lens**

**2. System Menu LDC Display**

**3. DMX Input**

**4. Power Input**

**5. DMX Output**

**6. Power Output**

**7. Fuse**

**8. RJ45 Input**

**9. Value**

**10. RJ45 Output**

## INSTALLATION GUIDELINES



### FLAMMABLE MATERIAL WARNING

Keep fixture minimum 5.0 feet (1.5m) away from flammable materials and/or pyrotechnics.



### ELECTRICAL CONNECTIONS

A qualified electrician should be used for all electrical connections and/or installations.



**MINIMUM DISTANCE TO SURFACES/OBJECTS IS 3.3 FEET (1 METER).**

**MINIMUM DISTANCE TO FLAMMABLE MATERIALS IS 1.6 FEET (0.5 METER).**

**EXTERNAL SURFACE CAN REACH TEMPERATURES OF 185° F (85° C).**



**DO NOT INSTALL THE FIXTURE IF YOU ARE NOT QUALIFIED TO DO SO!**

Fixture **MUST** be installed following all local, national, and country commercial electrical and construction codes and regulations.

Before rigging/mounting a single fixture or multiple fixtures to any metal truss/structure or placing the fixture(s) on any surface, a professional equipment installer **MUST** be consulted to determine if the metal truss/structure or surface is properly certified to safely hold the combined weight of the fixture(s), clamps, cables, and accessories.

Overhead rigging requires extensive experience, including calculating working load limits, installation material being used, and periodic safety inspection of all installation material and the fixture, among other skills. If you lack these qualifications, do not attempt the installation yourself. Improper installation can result in bodily injury.

Fixture ambient operating temperature range is -4° to 113°F (-20° to 45°C). Do not operate the fixture when the ambient temperature falls outside of this range.

Fixture(s) should be installed away from walking paths, seating areas, or areas where unauthorized personnel might reach the fixture by hand.

**NEVER** stand directly below the fixture(s) when rigging, removing, or servicing.

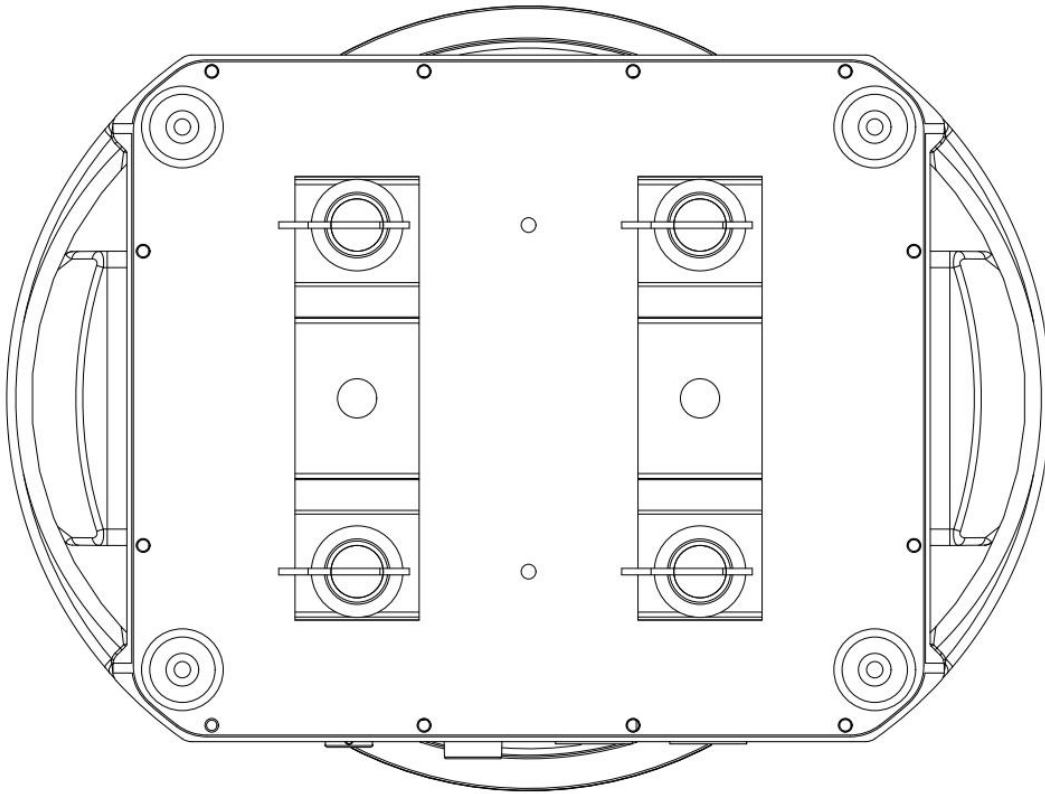
Overhead fixture installation must always be secured with a secondary safety attachment, such as an appropriately rated safety cable.

Allow approximately 15 minutes for the fixture to cool down before serving.

# INSTALLATION GUIDELINES

## OMEGA BRACKET INSTALLATION

Insert the Omega Brackets into the matching holes on the bottom of the fixture. Secure the Omega Brackets to the fixture by turning each quick-lock fastener  $\frac{1}{4}$  turn clockwise . **Always check to make sure that each fastener is completely locked.** Omega brackets can be installed into the underside of the fixture's base as illustrated below.



## CLAMP INSTALLATION

When mounting the fixture to a truss, be sure to secure appropriately rated professional grade rigging clamps to the included Omega Brackets using an M10 screw fitted through the center hole of the Omega Brackets. This fixture requires the installation of two Omega brackets and two clamps for secure truss mounting. The fixture also provides built-in rigging points for a SAFETY CABLE. Be sure to only use the designated rigging point for the safety cable and never secure a safety cable to a carrying handle.



**SAFETY CABLE:**  
**ALWAYS ATTACH A SAFETY CABLE WHENEVER INSTALLING THIS FIXTURE  
IN A SUSPENDED ENVIRONMENT TO ENSURE THAT THE FIXTURE WILL  
NOT FALL IF THE CLAMP FAILS.**



# INSTALLATION GUIDELINES

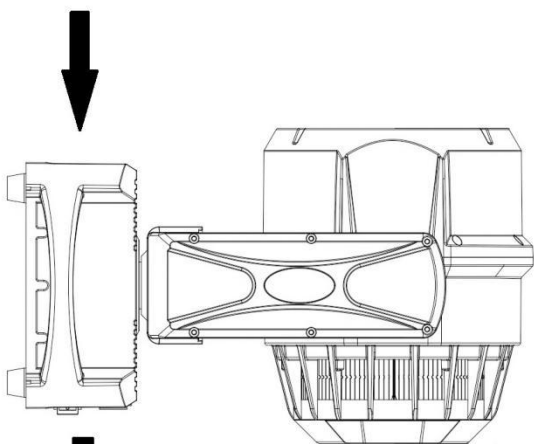
## POWER AND DATA CABLES



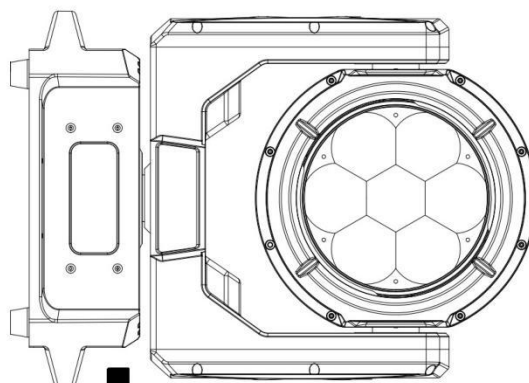
TO MAINTAIN THE IP65 RATING INTEGRITY OF THE FIXTURE, ALL CABLES MUST BE RUN TOWARDS THE GROUND IN ORDER TO PREVENT WATER ACCUMULATION AROUND THE CONNECTIONS.

### SYSTEM MENU

#### LCD DISPLAY



**CABLES**

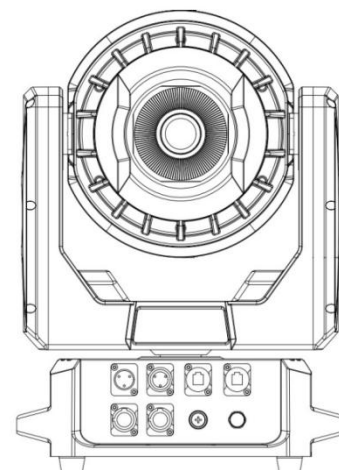
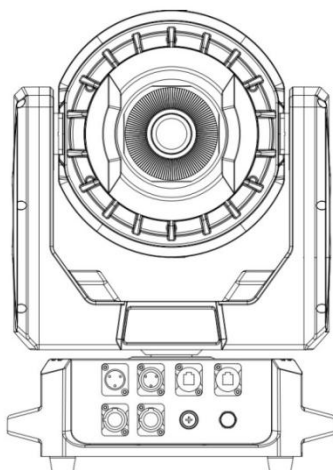
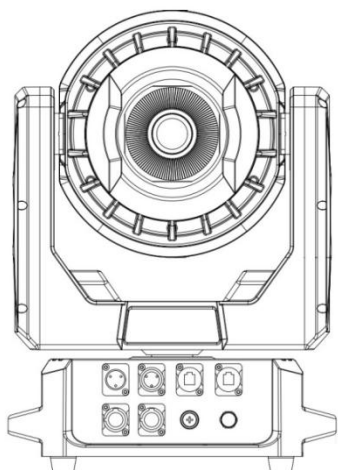


**CABLES**

### RJ45 DATA CABLES



THE INCLUDED RJ45 DATA CABLE IS FOR FIXTURE TO FIXTURE INTERCONNECTIONS ONLY! THE RJ45 CABLE CONNECTORS MAY NOT BE COMPATIBLE WITH OTHER RJ45 OR ETHERNET TYPE CONNECTORS.





# INSTALLATION GUIDELINES

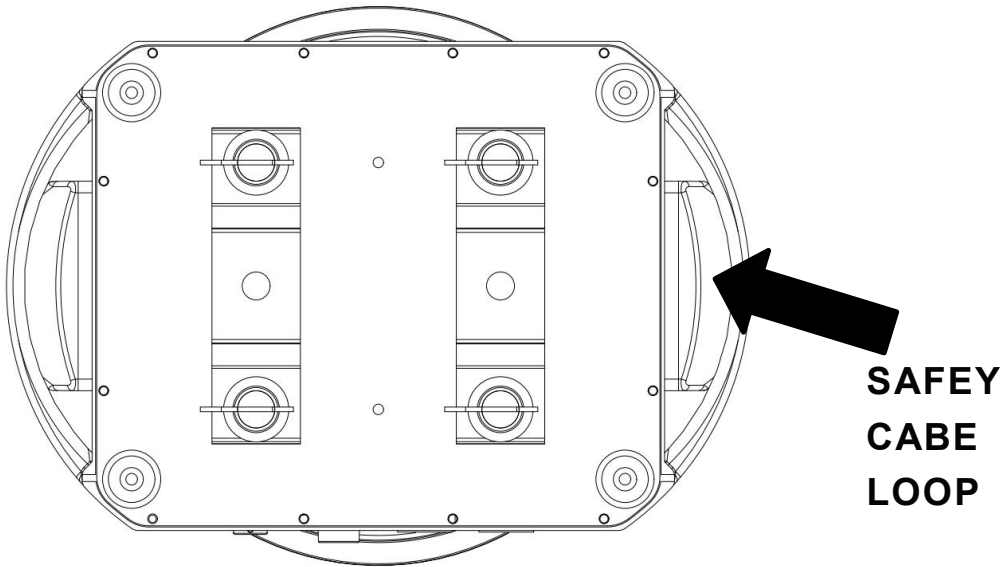
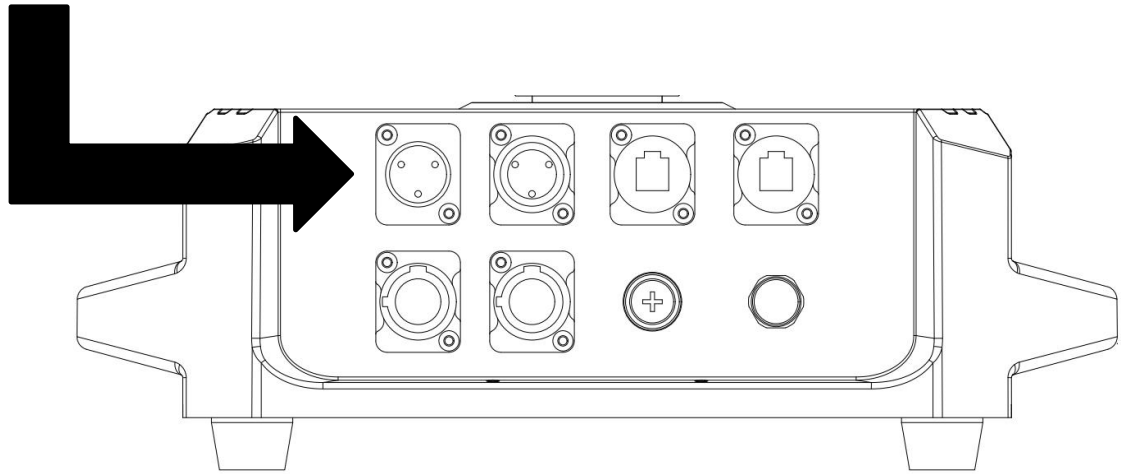
## POWER AND DATA CONNECTIONS



ENSURE ALL CONNECTIONS AND END CAPS ARE PROPERLY SEALED WITH A DIELECTRIC GREASE (AVAILABLE AT MOST ELECTRICAL SUPPLIERS) IN ORDER TO PREVENT WATER CORROSION AND/ OR ELECTRICAL SHORT CIRCUIT.



TO MAINTAIN IP65 RATING INTEGRITY AND PREVENT WATER FROM ENTERING THE FIXTURE, SEAL ALL UNUSED CONNECTION RUBBER CAPS.



ALWAYS ATTACH A SAFETY CABLE WHENEVER INSTALLING THIS DEVICE IN A SUSPENDED ENVIRONMENT TO ENSURE THE FIXTURE WILL NOT FALL IF THE CLAMP FAILS!

# SYSTEM MENU

| Main Menu    | Sub Menu      | Option/Value       | Option/Value   |               |
|--------------|---------------|--------------------|----------------|---------------|
| Address      | 001           |                    |                |               |
|              | ...           |                    |                |               |
|              | 512           |                    |                |               |
| Channel      | 025CH         |                    |                |               |
|              | 046CH         |                    |                |               |
|              | 104CH         |                    |                |               |
|              | 121CH         |                    |                |               |
| Setting      | Control Mode  | DMX                |                |               |
|              |               | Artnet             |                |               |
|              |               | DMX+Artnet         |                |               |
|              |               | sACN               |                |               |
|              |               | DMX+sACN           |                |               |
|              | Dimmer Mode   | Linear             |                |               |
|              |               | Square             |                |               |
|              |               | I-Square           |                |               |
|              |               | S-Shape            |                |               |
|              | Dimmer Speed  | Slow               |                |               |
|              |               | Fast               |                |               |
|              | LED Frequency | 400HZ              |                |               |
|              |               | 1200HZ             |                |               |
|              |               | 2000HZ             |                |               |
|              |               | 4000HZ             |                |               |
|              |               | 6000HZ             |                |               |
|              |               | 8000HZ             |                |               |
|              |               | 16000HZ            |                |               |
|              |               | 24000HZ            |                |               |
|              | Calibration   | Invert_Pan         |                | NO/YES        |
|              |               | Invert_Tilt        |                | NO/YES        |
|              |               | System Calibration |                | PAN 001~255   |
|              |               |                    |                | Tilt 001~255  |
|              |               |                    |                | Focus 001~255 |
|              |               |                    | Rotate 001~255 |               |
|              | Language      | Chinese            |                |               |
|              |               | English            |                |               |
|              | Invert Screen | OFF                |                |               |
|              |               | ON                 |                |               |
|              |               | AUTO               |                |               |
| Signal Keep  |               | NO/YES             |                |               |
| Screen Lock  |               | NO/YES             |                |               |
| Load Default |               | NO.YES             |                |               |

## SYSTEM MENU

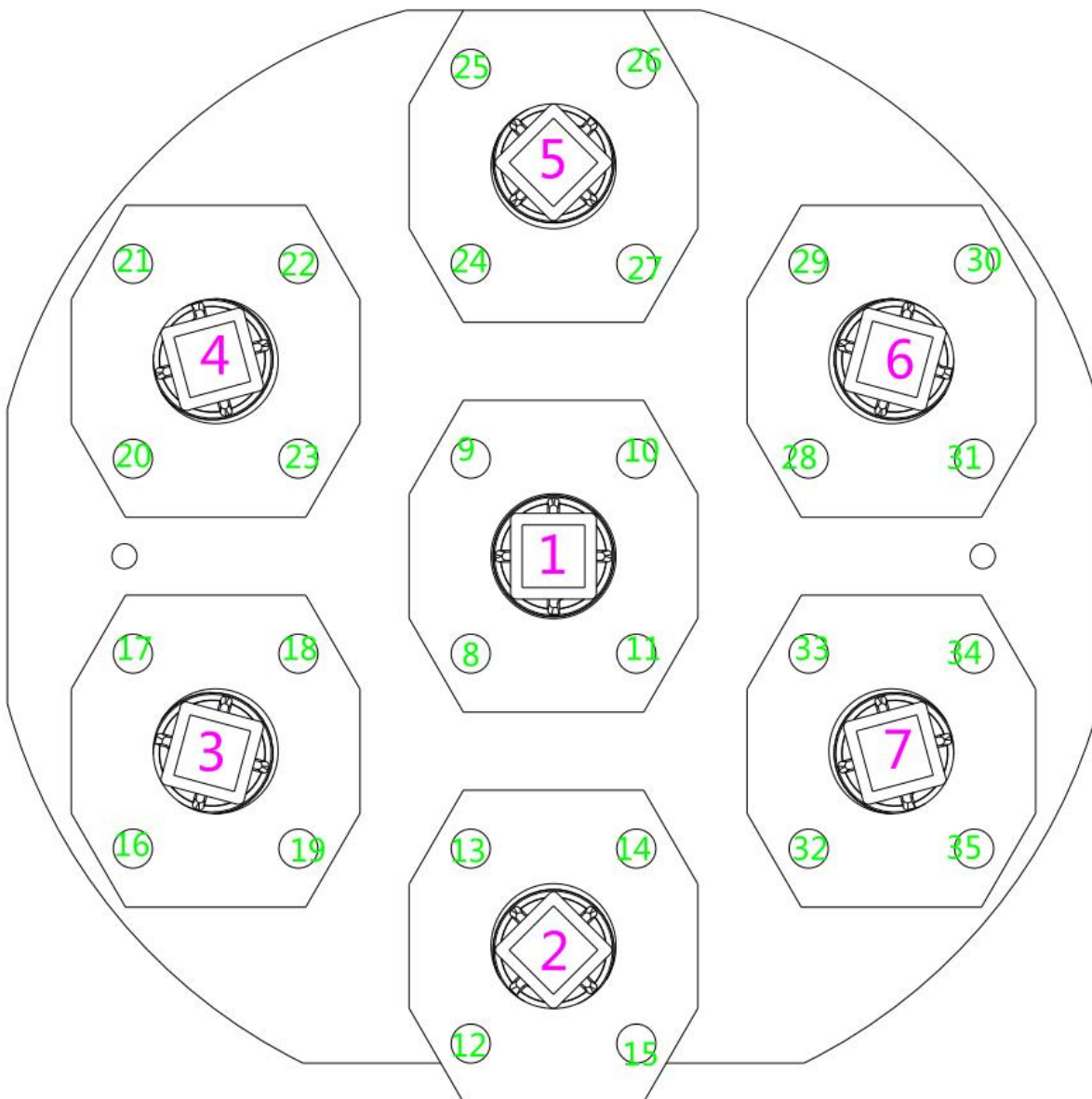
| Main Menu | Sub Menu     | Option/Value | Option/Value    |
|-----------|--------------|--------------|-----------------|
| Network   | Internet     | IP           | 002.000.000.001 |
|           |              | MS           | 255.000.000.000 |
|           | Universe     | Net(0~127)   | 000~127         |
|           |              | Sub_Universe | 000~127         |
|           |              |              |                 |
| Manual    | Pan          | 000~255      |                 |
|           | Tile         | 000~255      |                 |
|           | Zoom         | 000~255      |                 |
|           | Rotation     | 000~255      |                 |
|           | Red          | 000~255      |                 |
|           | Green        | 000~255      |                 |
|           | Blue         | 000~255      |                 |
|           | White        | 000~255      |                 |
|           | Spark Red    | 000~255      |                 |
|           | Spark Green  | 000~255      |                 |
|           | Spark Blue   | 000~255      |                 |
|           | Effect       | 000~255      |                 |
|           | Spark Effect | 000~255      |                 |
| Reset     | Reset Effect |              |                 |
|           | Reset Scan   |              |                 |
|           | Rest All     |              |                 |

# LIGHTING CONSOLE PATCHING GUIDELINES

The product is a versatile luminaire which combines two fixtures into one housing, allowing it to produce multiple unique lighting effects typically not found in a single lighting fixture. The DMX layout is designed to offer a variety of options for controlling each fixture efficiently.

The main fixture contains 7x 60W RGBW pixel cells, while the Spark LED fixture contains 28x0.5W RGB LEDs. For ease of use the DMX layout is arranged to allow lighting consoles to separate the fixture into multiple segments or parts. It is especially important to arrange the fixture in such segments or parts when using the fixture in the full extended 121 channel DMX mode. For simpler programming, reduced DMX channel modes can be used. However, for easy recall of interesting pixel animations, both the RGBW and Spark LED fixtures contain two FX systems: one which controls the RGBW cells, and a second that is dedicated to the Spark LEDs.

The pixels are arranged in a grid pattern as illustrated below. ( RGBW 1-7 /Spark LED 8-35)



# DMX CHART

## 25CH Mode(DMX,ArtNet,sACN)

| Channel | Value   | Function                   | Description   |
|---------|---------|----------------------------|---|
| 1CH     | 0-255   | X Axis rotate              | 0° - 540°   |
| 2CH     | 0-255   | X-axis rotate fine         | 16 bit adjustable                                   |
| 3CH     | 0-255   | Y Axis rotate              | 0° - 205°   |
| 4CH     | 0-255   | Y-axis rotate fine         | 16 bit adjustable                                   |
| 5CH     | 0-255   | X/Y motor speed            | fast to slow  |
| 6CH     | 0-255   | Zoom                       | 3° - 45°  |
| 7CH     | 0-255   | Zoom fine                  |   |
| 8CH     | 0-255   | Camera rotate              |   |
|         | 0-5     | /                          |   |
|         | 6-62    | Clockwise rotate           | 0° - 360°   |
|         | 63-127  | Counter-Clockwise rotate   | 0° - 360°   |
|         | 128-192 | Infinite Clockwise         | slow to fast  |
|         | 193-255 | Infinite Counter-Clockwise | slow to fast  |
| 9CH     | 0-255   | Reset                      |   |
|         | 0-200   | /                          |   |
|         | 201-215 | Effect motor reset         | The value stops for 5 seconds                       |
|         | 216-230 | X/Y motor reset            | The value stops for 5 seconds                       |
|         | 231-245 | Overall reset              | The value stops for 5 seconds                       |
|         | 246-255 | /                          |   |
| 10CH    | 0-255   | Master Dimmer              | Dark to light                                       |
| 11CH    | 0-255   | Master dimmer fine         |   |
| 12CH    | 0-255   | 60W strobe                 |   |
|         | 0-5     | /                          |   |
|         | 6-55    | Synchronous strobe         | The larger value, the faster speed                  |
|         | 56-105  | Pulse strobe               | The larger value, the faster speed                  |
|         | 106-155 | Random strobe              | The larger value, the faster speed                  |
|         | 156-205 | Gradient Strobe1           | The larger value, the faster speed<br>Dark to light |
|         | 206-255 | Gradient Strobe2           | The larger value, the faster speed<br>Light to dark |
| 13CH    | 0-255   | Aura Strobe                |   |
|         | 0-5     | /                          |   |
|         | 6-55    | Synchronous strobe         | The larger value, the faster speed                  |
|         | 56-105  | Pulse strobe               | The larger value, the faster speed                  |
|         | 106-155 | Random strobe              | The larger value, the faster speed                  |
|         | 156-205 | Gradient Strobe1           | The larger value, the faster speed<br>Dark to light |

|         |                         |                                |   |
|---------|-------------------------|--------------------------------|---|
|         | 206-255                 | Gradient Strobe2               | The larger value, the faster speed<br>Light to dark |
| 14CH    | 0-255                   | 60W Red                        | Dark to light                                       |
| 15CH    | 0-255                   | 60W Green                      | Dark to light                                       |
| 16CH    | 0-255                   | 60W Blue                       | Dark to light                                       |
| 17CH    | 0-255                   | 60W White                      | Dark to light                                       |
| 18CH    | 0-255                   | Aura Red                       | Dark to light                                       |
| 19CH    | 0-255                   | Aura Green                     | Dark to light                                       |
| 20CH    | 0-255                   | Aura Blue                      | Dark to light                                       |
| 21CH    | 0-255                   | 60W Built in program           | Program1-program16                                  |
|         | 0-5                     | /                              |   |
|         | 6-20                    | Program 1                      |   |
|         | 21-35                   | Program 2                      |   |
|         | 36-50                   | Program 3                      |   |
|         | 51-65                   | Program 4                      |   |
|         | 66-80                   | Program 5                      |   |
|         | 81-95                   | Program 6                      |   |
|         | 96-110                  | Program 7                      |   |
|         | 111-125                 | Program 8                      |   |
|         | 126-140                 | Program 9                      |   |
|         | 141-155                 | Program 10                     |   |
|         | 156-170                 | Program 11                     |   |
|         | 171-185                 | Program 12                     |   |
|         | 186-200                 | Program 13                     |   |
|         | 201-215                 | Program 14                     |   |
|         | 216-230                 | Program 15                     |   |
| 231-245 | Program 16              |                                |   |
| 246-255 | Auto -built-in programs | Program 1-Program 16 loop play |   |
| 22CH    | 0-255                   | 60W Program Speed              | Slow to fast  |
| 23CH    | 0-255                   | Aura built-in program          | Program1-program16                                  |
|         | 0-5                     | /                              |   |
|         | 6-20                    | Program 1                      |   |
|         | 21-35                   | Program 2                      |   |
|         | 36-50                   | Program 3                      |   |
|         | 51-65                   | Program 4                      |   |
|         | 66-80                   | Program 5                      |   |
|         | 81-95                   | Program 6                      |   |
|         | 96-110                  | Program 7                      |   |
|         | 111-125                 | Program 8                      |   |
|         | 126-140                 | Program 9                      |   |
|         | 141-155                 | Program 10                     |   |
|         | 156-170                 | Program 11                     |   |
| 171-185 | Program 12              |                                |   |



|      |         |                         |                                |
|------|---------|-------------------------|--------------------------------|
|      | 186-200 | Program 13              |                                |
|      | 201-215 | Program 14              |                                |
|      | 216-230 | Program 15              |                                |
|      | 231-245 | Program 16              |                                |
|      | 246-255 | Auto -built-in programs | Program 1-Program 16 loop play |
| 24CH | 0-255   | Aura program speed      | To slow to fast                |
| 25CH | 0-255   | Marco Color             |                                |

**47CH Mode (Support Dmx /Artnet/sACN. when u use DMX+Artnet mode, the 1-17CH are controlled by DMX protocol)**

| Channel | Value                      | Function                 | Description  |
|---------|----------------------------|--------------------------|--|
| 1CH     | 0-255                      | X Axis rotate            | 0° - 540°  |
| 2CH     | 0-255                      | X-axis rotate fine       | 16 bit adjustable  |
| 3CH     | 0-255                      | Y Axis rotate            | 0° - 205°  |
| 4CH     | 0-255                      | Y-axis rotate fine       | 16 bit adjustable  |
| 5CH     | 0-255                      | X/Y motor speed          | fast to slow   |
| 6CH     | 0-255                      | Zoom                     | 3° - 45°   |
| 7CH     | 0-255                      | Zoom fine                |  |
| 8CH     | 0-255                      | Camera rotate            |  |
|         | 0-5                        | /                        |  |
|         | 6-62                       | Clockwise rotate         | 0° - 360°  |
|         | 63-127                     | Counter-Clockwise rotate | 0° - 360°  |
|         | 128-192                    | Infinite Clockwise       | slow to fast   |
| 193-255 | Infinite Counter-Clockwise | slow to fast             |  |
| 9CH     | 0-255                      | Reset                    |  |
|         | 0-200                      | /                        |  |
|         | 201-215                    | Effect motor reset       | The value stops for 5 seconds  |
|         | 216-230                    | X/Y motor reset          | The value stops for 5 seconds  |
|         | 231-245                    | Overall reset            | The value stops for 5 seconds  |
|         | 246-255                    | /                        |  |
| 10CH    | 0-255                      | Master Dimmer            | Dark to light,( 60W is not controlled by master dimming in mixed mode) |
| 11CH    | 0-255                      | Master dimmer fine       |  |
| 12CH    | 0-255                      | Aura strobe              |  |
|         | 0-5                        | /                        |  |
|         | 6-55                       | Synchronous strobe       | The larger value, the faster speed                                     |
|         | 56-105                     | Pulse strobe             | The larger value, the faster speed                                     |
|         | 106-155                    | Random strobe            | The larger value, the faster speed                                     |
|         | 156-205                    | Gradient Strobe1         | The larger value, the faster speed<br>Dark to light                    |
|         | 206-255                    | Gradient Strobe2         | The larger value, the faster speed<br>Dark to light                    |
| 13CH    | 0-255                      | Aura Red                 | Dark to light  |

|      |         |                         |   |
|------|---------|-------------------------|---|
| 14CH | 0-255   | Aura Green              | Dark to light                                       |
| 15CH | 0-255   | Aura Blue               | Dark to light                                       |
| 16CH | 0-255   | Aura built-in program   | Program1-program16                                  |
|      | 0-5     | /                       |   |
|      | 6-20    | Program 1               |   |
|      | 21-35   | Program 2               |   |
|      | 36-50   | Program 3               |   |
|      | 51-65   | Program 4               |   |
|      | 66-80   | Program 5               |   |
|      | 81-95   | Program 6               |   |
|      | 96-110  | Program 7               |   |
|      | 111-125 | Program 8               |   |
|      | 126-140 | Program 9               |   |
|      | 141-155 | Program 10              |   |
|      | 156-170 | Program 11              |   |
|      | 171-185 | Program 12              |   |
|      | 186-200 | Program 13              |   |
|      | 201-215 | Program 14              |   |
|      | 216-230 | Program 15              |   |
|      | 231-245 | Program 16              |   |
|      | 246-255 | Auto -built-in programs | Program 1-Program 16 loop play                      |
|      | 246-255 | Auto -built-in programs | Program 1-Program 16 loop play                      |
| 17CH | 0-255   | Aura program speed      | Slow to fast  |
| 18CH | 0-255   | 60W Dimmer              | Dark to light                                       |
| 19CH | 0-255   | 60W Strobe              |   |
|      | 0-5     | /                       |   |
|      | 6-55    | Synchronous strobe      | The larger value, the faster speed                  |
|      | 56-105  | Pulse strobe            | The larger value, the faster speed                  |
|      | 106-155 | Random strobe           | The larger value, the faster speed                  |
|      | 156-205 | Gradient Strobe1        | The larger value, the faster speed<br>Dark to light |
|      | 206-255 | Gradient Strobe2        | The larger value, the faster speed<br>Light to dark |
| 20CH | 0-255   | LED1 Red                | Dark to light                                       |
| 21CH |         | LED1 Green              | Dark to light                                       |
| 22CH | 0-255   | LED1 Blue               | Dark to light                                       |
| 23CH | 0-255   | LED1 White              | Dark to light                                       |
| .... | ....    | ....                    | ....  |
| .... | ....    | ....                    | ....  |
| 44CH | 0-255   | LED7 Red                | Dark to light                                       |
| 45CH | 0-255   | LED7 Green              | Dark to light                                       |
| 46CH | 0-255   | LED7 Blue               | Dark to light                                       |
| 47CH | 0-255   | LED7 White              | Dark to light                                       |

**104CH Mode (Support Dmx /Artnet/sACN. when u use DMX+Artnet mode, the 1-18CH are controlled by DMX protocol)**

| Channel | Value   | Function                   | Description   |
|---------|---------|----------------------------|---|
| 1CH     | 0-255   | X Axis rotate              | 0° - 540°   |
| 2CH     | 0-255   | X-axis rotate fine         | 16 bit adjustable                                   |
| 3CH     | 0-255   | Y Axis rotate              | 0° - 205°   |
| 4CH     | 0-255   | Y-axis rotate fine         | 16 bit adjustable                                   |
| 5CH     | 0-255   | X/Y motor speed            | fast to slow  |
| 6CH     | 0-255   | Zoom                       | 3° - 45°  |
| 7CH     | 0-255   | Zoom fine                  |   |
| 8CH     | 0-255   | Camera rotate              |   |
|         | 0-5     | /                          |   |
|         | 6-62    | Clockwise rotate           | 0°- 360°  |
|         | 63-127  | Counter-Clockwise rotate   | 0°- 360°  |
|         | 128-192 | Infinite Clockwise         | slow to fast  |
|         | 193-255 | Infinite Counter-Clockwise | slow to fast  |
| 9CH     | 0-255   | Reset                      |   |
|         | 0-200   | /                          |   |
|         | 201-215 | Effect motor reset         | The value stops for 5 seconds                       |
|         | 216-230 | X/Y motor reset            | The value stops for 5 seconds                       |
|         | 231-245 | Overall reset              | The value stops for 5 seconds                       |
|         | 246-255 | /                          |   |
| 10CH    | 0-255   | 60W Master Dimmer          |   |
| 11CH    | 0-255   | 60W strobe                 |   |
|         | 0-5     | /                          |   |
|         | 6-55    | Synchronous strobe         | The larger value, the faster speed                  |
|         | 56-105  | Pulse strobe               | The larger value, the faster speed                  |
|         | 106-155 | Random strobe              | The larger value, the faster speed                  |
|         | 156-205 | Gradient Strobe1           | The larger value, the faster speed<br>Dark to light |
|         | 206-255 | Gradient Strobe2           | The larger value, the faster speed<br>Light to dark |
| 12CH    | 0-255   | 60W Red                    | Dark to light                                       |
| 13CH    | 0-255   | 60W Green                  | Dark to light                                       |
| 14CH    | 0-255   | 60W Blue                   | Dark to light                                       |
| 15CH    | 0-255   | 60W White                  | Dark to light                                       |
| 16CH    | 0-255   | 60W Built in program       | Program1-program16                                  |
|         | 0-5     | /                          |   |
|         | 6-20    | Program 1                  |   |
|         | 21-35   | Program 2                  |   |
|         | 36-50   | Program 3                  |   |
|         | 51-65   | Program 4                  |   |
|         | 66-80   | Program 5                  |   |

|      |         |                         |                                |
|------|---------|-------------------------|--------------------------------|
|      | 81-95   | Program 6               |                                |
|      | 96-110  | Program 7               |                                |
|      | 111-125 | Program 8               |                                |
|      | 126-140 | Program 9               |                                |
|      | 141-155 | Program 10              |                                |
|      | 156-170 | Program 11              |                                |
|      | 171-185 | Program 12              |                                |
|      | 186-200 | Program 13              |                                |
|      | 201-215 | Program 14              |                                |
|      | 216-230 | Program 15              |                                |
|      | 231-245 | Program 16              |                                |
|      | 246-255 | Auto -built-in programs | Program 1-Program 16 loop play |
| 17CH | 0-255   | 60W Program Speed       | Slow to fast                   |
|      | 0-255   | Marco Color             |                                |
|      | 0-5     | /                       |                                |
|      | 6-10    | Red                     | R=255,G=000,B=000,W=000        |
|      | 11-15   | Green                   | R=000,G=255,B=000,W=000        |
|      | 16-20   | Blue                    | R=000,G=000,B=255,W=000        |
|      | 21-25   | Cyan                    | R=000,G=255,B=255,W=000        |
|      | 26-30   | Yellow                  | R=255,G=255,B=000,W=000        |
|      | 31-35   | Magenta                 | R=255,G=000,B=255,W=000        |
|      | 36-40   | Medium Yellow           | R=156,G=126,B=000,W=000        |
|      | 41-45   | Straw Tint              | R=152,G=115,B=009,W=000        |
|      | 46-50   | Surprise Peach          | R=198,G=114,B=009,W=000        |
| 18CH | 51-55   | Fire                    | R=255,G=056,B=000,W=000        |
|      | 56-60   | Medium Amber            | R=255,G=135,B=000,W=000        |
|      | 61-65   | Gold Amber              | R=255,G=100,B=000,W=000        |
|      | 66-70   | Dark Amber              | R=255,G=065,B=000,W=000        |
|      | 71-75   | Sunrise Red             | R=255,G=083,B=000,W=000        |
|      | 76-80   | Light Pink              | R=255,G=112,B=000,W=141        |
|      | 81-85   | Medium Pink             | R=255,G=087,B=000,W=107        |
|      | 86-90   | Pink Carnation          | R=255,G=107,B=000,W=130        |
|      | 91-95   | Light Lavender          | R=243,G=117,B=039,W=197        |
|      | 96-100  | Sky Blue                | R=000,G=255,B=135,W=000        |
|      | 101-105 | Just Blue               | R=000,G=194,B=130,W=000        |
|      | 106-110 | Dark Yellow Green       | R=041,G=219,B=000,W=000        |
|      | 111-115 | Spring Yellow           | R=245,G=202,B=000,W=000        |
|      | 116-120 | Light Amber             | R=237,G=163,B=000,W=000        |
|      | 121-125 | Straw Tint              | R=230,G=160,B=000,W=069        |
|      | 126-130 | Deep Amber              | R=255,G=166,B=000,W=000        |
|      | 131-135 | Orange                  | R=255,G=122,B=000,W=000        |
|      | 136-140 | Light Rose              | R=255,G=141,B=031,W=000        |
|      | 141-145 | Middle Rose             | R=217,G=130,B=028,W=000        |

|       |         |                    |   |
|-------|---------|--------------------|---|
|       | 146-150 | Dark Pink          | R=255,G=109,B=033,W=000                             |
|       | 151-155 | Magenta            | R=255,G=020,B=015,W=000                             |
|       | 156-160 | Peacock Blue       | R=051,G=255,B=051,W=000                             |
|       | 161-165 | Steel Blue         | R=206,G=255,B=056,W=000                             |
|       | 166-170 | Light Blue         | R=074,G=255,B=085,W=000                             |
|       | 171-175 | Dark Blue          | R=000,G=186,B=255,W=000                             |
|       | 176-180 | Leaf Green         | R=206,G=255,B=000,W=000                             |
|       | 181-185 | Dark Green         | R=084,G=255,B=013,W=000                             |
|       | 186-190 | Mauve              | R=227,G=041,B=056,W=000                             |
|       | 191-195 | Deep Golden Amber  | R=255,G=058,B=000,W=000                             |
|       | 196-200 | Pale Lavender      | R=255,G=197,B=061,W=000                             |
|       | 201-205 | Primary Green      | R=077,G=255,B=000,W=000                             |
|       | 206-210 | Bright Blue        | R=000,G=255,B=087,W=000                             |
|       | 211-215 | Apricot            | R=255,G=143,B=013,W=000                             |
|       | 216-220 | Pale Gold          | R=253,G=171,B=026,W=000                             |
|       | 221-225 | Deep Orange        | R=222,G=084,B=000,W=000                             |
|       | 226-230 | Flame Red          | R=255,G=046,B=002,W=000                             |
|       | 231-235 | Lilac Tint         | R=255,G=199,B=049,W=000                             |
|       | 236-240 | White 7000K        | R=216,G=237,B=061,W=255                             |
|       | 241-245 | White 3700K        | R=255,G=201,B=025,W=255                             |
|       | 246-250 | White 5000K        | R=255,G=137,B=000,W=193                             |
|       | 251-255 | White              | R=255,G=235,B=066,W=255                             |
| 19CH  |         | Aura Master Dimmer | Dark to light                                       |
| 20CH  | 0-255   | Aura strobe        |   |
|       | 0-5     | /                  |   |
|       | 6-55    | Synchronous strobe | The larger value, the faster speed                  |
|       | 56-105  | Pulse strobe       | The larger value, the faster speed                  |
|       | 106-155 | Random strobe      | The larger value, the faster speed                  |
|       | 156-205 | Gradient Strobe1   | The larger value, the faster speed<br>Dark to light |
|       | 206-255 | Gradient Strobe2   | The larger value, the faster speed<br>Light to dark |
| 21CH  | 0-255   | LED8 Red           | Dark to light                                       |
| 22CH  | 0-255   | LED8 Green         | Dark to light                                       |
| 23CH  | 0-255   | LED8 Blue          | Dark to light                                       |
| ....  | ....    | ....               | ....  |
| ....  | ....    | ....               | ....  |
| ....  | ....    | ....               | ....  |
| 102CH | 0-255   | LED35 Red          | Dark to light                                       |
| 103CH | 0-255   | LED35 Green        | Dark to light                                       |
| 104CH | 0-255   | LED35 Blue         | Dark to light                                       |

## 125CH Mode (Support Dmx /Artnet/sACN. when u use DMX+Artnet

mode, the 1-9CH are controlled by DMX protocol)

| Channel | Value   | Function                   | Description   |
|---------|---------|----------------------------|---|
| 1CH     | 0-255   | X Axis rotate              | 0° - 540°   |
| 2CH     | 0-255   | X-axis rotate fine         | 16 bit adjustable                                   |
| 3CH     | 0-255   | Y Axis rotate              | 0° - 205°   |
| 4CH     | 0-255   | Y-axis rotate fine         | 16 bit adjustable                                   |
| 5CH     | 0-255   | X/Y motor speed            | fast to slow  |
| 6CH     | 0-255   | Zoom                       | 3° - 45°  |
| 7CH     | 0-255   | Zoom fine                  |   |
| 8CH     | 0-255   | Camera rotate              |   |
|         | 0-5     | /                          |   |
|         | 6-62    | Clockwise rotate           | 0°- 360°  |
|         | 63-127  | Counter-Clockwise rotate   | 0°- 360°  |
|         | 128-192 | Infinite Clockwise         | slow to fast  |
|         | 193-255 | Infinite Counter-Clockwise | slow to fast  |
| 9CH     | 0-255   | Reset                      |   |
|         | 0-200   | /                          |   |
|         | 201-215 | Effect motor reset         | The value stops for 5 seconds                       |
|         | 216-230 | X/Y motor reset            | The value stops for 5 seconds                       |
|         | 231-245 | Overall reset              | The value stops for 5 seconds                       |
|         | 246-255 | /                          |   |
| 10CH    | 0-255   | 60w Dimmer                 | Dark to light                                       |
| 11CH    | 0-255   | 60W strobe                 |   |
|         | 0-5     | /                          |   |
|         | 6-55    | Synchronous strobe         | The larger value, the faster speed                  |
|         | 56-105  | Pulse strobe               | The larger value, the faster speed                  |
|         | 106-155 | Random strobe              | The larger value, the faster speed                  |
|         | 156-205 | Gradient Strobe1           | The larger value, the faster speed<br>Dark to light |
|         | 206-255 | Gradient Strobe2           | The larger value, the faster speed<br>Light to dark |
| 12CH    | 0-255   | LED1 Red                   | Dark to light                                       |
| 13CH    | 0-255   | LED1 Green                 | Dark to light                                       |
| 14CH    | 0-255   | LED1 Blue                  | Dark to light                                       |
| 15CH    | 0-255   | LED1 White                 | Dark to light                                       |
| ....    | ....    | ....                       | ....  |
| ....    | ....    | ....                       | ....  |
| ....    | ....    | ....                       | ....  |
| 36CH    | 0-255   | LED7 Red                   | Dark to light                                       |
| 37CH    | 0-255   | LED7 Green                 | Dark to light                                       |



|       |         |                    |   |
|-------|---------|--------------------|---|
| 38CH  | 0-255   | LED7 Blue          | Dark to light                                       |
| 39CH  | 0-255   | LED7 White         | Dark to light                                       |
| 40CH  | 0-255   | Aura Master Dimmer | Dark to light                                       |
| 41CH  | 0-255   | Aura Strobe        |   |
|       | 0-5     | /                  |   |
|       | 6-55    | Synchronous strobe | The larger value, the faster speed                  |
|       | 56-105  | Pulse strobe       | The larger value, the faster speed                  |
|       | 106-155 | Random strobe      | The larger value, the faster speed                  |
|       | 156-205 | Gradient Strobe1   | The larger value, the faster speed<br>Dark to light |
|       | 206-255 | Gradient Strobe2   | The larger value, the faster speed<br>Light to dark |
| 42CH  | 0-255   | LED8 Red           | Dark to light                                       |
| 43CH  | 0-255   | LED8 Green         | Dark to light                                       |
| 44CH  | 0-255   | LED8 Blue          | Dark to light                                       |
| ....  | ....    | ....               | ....  |
| ....  | ....    | ....               | ....  |
| ....  | ....    | ....               | ....  |
| 123CH | 0-255   | LED35 Red          | Dark to light                                       |
| 124CH | 0-255   | LED35 Green        | Dark to light                                       |
| 125CH | 0-255   | LED35 Blue         | Dark to light                                       |

## **SPECIFICATIONS**

### **SOURCE:**

7pcs\* 60W RGBW LEDs  
28pcs\* 0.5W RGB LEDs  
50,000 Hour Average LED Life\*

### **PHOTOMETRIC DATA:**

9200 Total Lumen Output  
CRI 82  
Zoom Range 3.5° - 45°  
EFFECTS  
Motorized Zoom  
Linear Color Temperature Presets (2700 -8000K)  
RGBW Color Mixing and Pixel Control  
RGB SparkLED Lens Effect  
Color Presets and Macros  
Electronic Strobe and Variable Dimming Curves  
16 - bit Dimming

### **CONTROL / CONNECTIONS:**

25/47/104/125 DMX Channel Modes  
360° Continuous Pan and Tilt Movement  
DMX Adjustable Refresh Rate (900 - 25000 Hz)  
(4) Button Touch Panel  
Full Color 180° Reversible LCD Menu Display  
RDM Support  
IP65 5pin XLR DMX In/Out  
IP65 RJ45 Ethernet In/Out (Art- Net, sACN)  
IP65 Locking Power Cable In  
With Wired Digital Communication Network

### **SIZE / WEIGHT:**

Length: 309.5 mm (12.19 in)  
Width: 210 mm (8.27 in)  
Height: 463 mm(18.23 in )  
Weight: 12 KGS (26.46 lbs.)

### **ELECTRICAL / THERMAL:**

AC 100-240V 50/60Hz  
700W Max Power Consumption  
BTU/hr (+/- 10%) 2387

### **APPROVALS/RATINGS:**

CE | IP65

# DIMENSIONAL DRAWINGS

