

SPIDERSPLIT6RF

6Way DMX Signal Booster/Splitter



User Manual

This manual contains important information.
Please read before operating fixture.



User Manual

Thank you for purchasing of the **SPIDERSPLIT6RF** . The DMX Splitter is a DMX signal amplifier and distributor. It allows you to split a DMX signal into four separate signal outputs. Also it boost your DMX signal for extensive cable runs between DMX lighting fixtures. To optimize the performance of this product, please read the user manual carefully before use.

What is included

The following items are included in the box:

- 1pc **SPIDERSPLIT6RF**
- 1pc Power cord
- 1pc User Manual

Carefully unpack the carton, check the contents to ensure that all parts are present, and have been received in good condition. Contact your supplier immediately and retain packing material for inspection if any part is missing or damaged.

Safety Instruction



WARNING!!! To reduce the risk of fire, electric shock, or injury to persons, follow these important safety instructions:

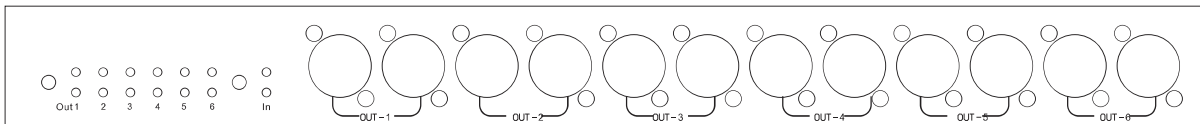
- This product is intended for indoor use only!
- Always turn off, unplug power and allow fixture to cool before servicing.
- Ensure that fixture is properly grounded.
- Please keep this User Guide for future consultation.
- To prevent risk of fire or shock, do not expose fixture to rain or moisture.
- The unit must be installed in a location with adequate ventilation. Be sure no ventilation slots are blocked.
- Make sure power cord is never crimped or damaged.
- Do not remove the top cover under any conditions. There are no user serviceable parts inside.
- Disconnect the unit's main power when left unused for long periods of time.
- Never connect this unit to a dimmer pack.
- Never operate this unit when it's cover is removed.

Features

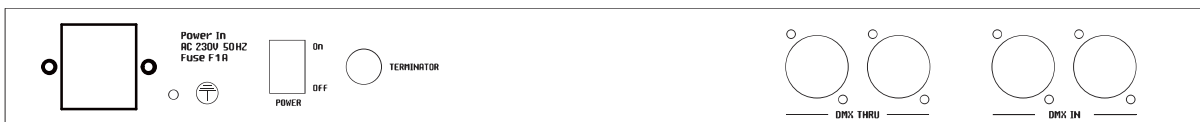
- DMX signal amplifier and distributor
- 1 input to 6 outputs plus DMX Thru
- 100% Electric isolation between input & output
- 100% Electric isolation between output & output
- DMX line can be terminated by a switch
- 3pin & 5pin DMX input & 5pin DMX thru.
- 3pin & 5pin DMX thru.
- 3pin or 5pin DMX Out
- Power and signal indicator for each output
- 1U rack mount

Product Overview

Front view



Rear view



Installation

The unit is designed for 1U rack mount.

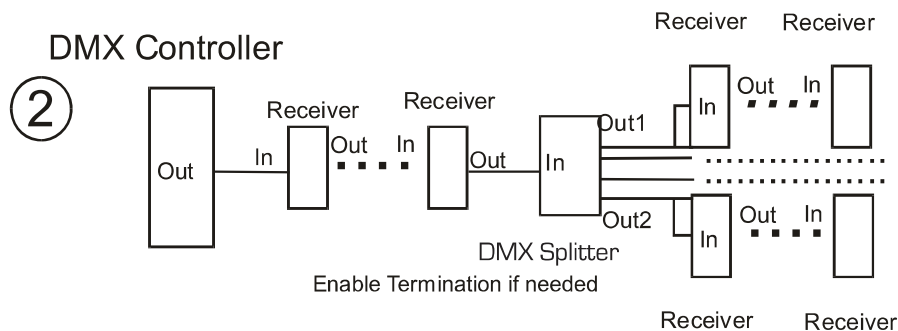
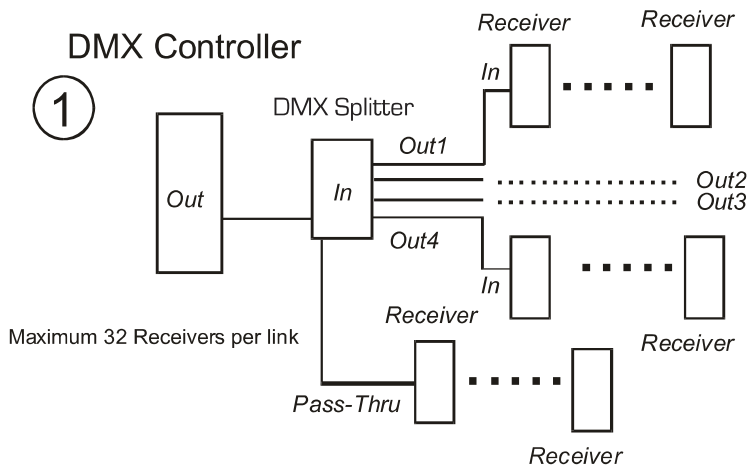
AC Power

The unit is designed to work on AC 220-240V 50/60Hz . Before applying power to a unit, make sure that the unit's input voltage matches the power source voltage.

WARNING: All units must be connected to circuits with a suitable Earth Ground.

Connection Diagrams

1. Connect DMX Out from your DMX controller to DMX In of DMX SPLITTER 6R.
2. Use the 6 outputs to send DMX signal to your DMX fixtures.
3. A DMX splitter unit is required when DMX cable run is more than 100 meters or there are more than 32 pcs DMX device in a line.



WARNING: disconnect mains supply before making any type of connection.

LED indicators

Each channel comes with one red power indicator and one green signal indicator. When the unit is powered on all red power indicators are lit up. When the unit receives DMX signal the BLUE indicator for DMX In stays on and blue ones for output are blinking. This is useful to immediately identify a bad output channel.

LED Status	Possibility
Power indicator is not lit up or dim while Signal indicator is OK and signal output is normal.	Power indicator fails. Check and replace it.
Both power indicator and signal indicator are not lit up. Also there is not signal output.	Open circuit between transformer and PCB. Check the 9V output from transformer to PCB.
Power indicator is OK. Signal indicator is not lit up while signal output is normal.	Signal indicator fails. Check and replace it.
Power indicator is OK. Signal indicator is not lit up and there is not signal output.	The 75176 chip on PCB fails. Check and replace it.

SPECIFICATIONS

WEIGHT & DIMENSIONS

Length 482 mm
 Width44 mm
 Height 145 mm
 Weight2.8kg

POWER

AC Power AC 220-240V 50-60Hz
 FuseF1A / 250V
 Power consumption6W max.

IMPORTANT INFORMATION!

In order to optimize the recovery and recycling of the materials that old appliances contain and reduce the impact on human health and the environment, ensure that this product is recycled at the end of its life.

