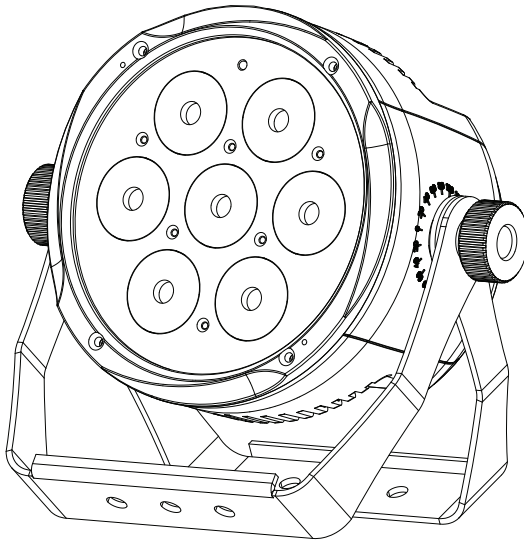


LED PAR715RGBW

7x10W RGBWAUV Battery PAR LED



USER MANUAL

Packaging: Thanks for your purchasing the LEDPAR715RGBW. All the lights have been checked and are in excellent operating condition. Please check the shipping carton first, because there may be damage occurred during the shipment. Then check the lights carefully and be sure that the lights is intact and works normally. In the event damage has been found, spare parts are missing or the lights works abnormally, please contact us for further instructions. And please don't return the lights to the dealer before contacting us.

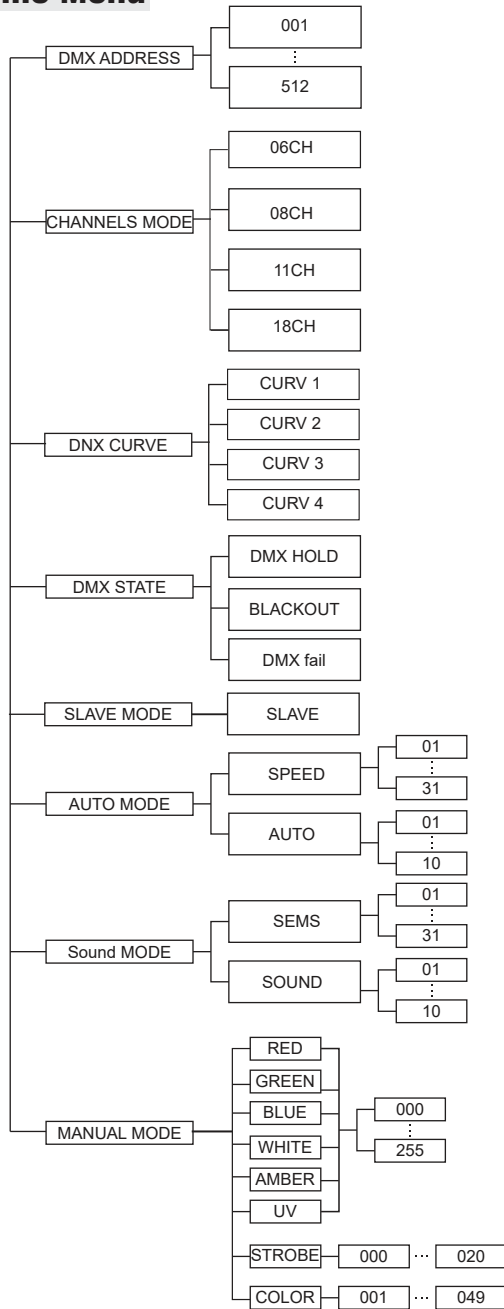
The LEDPAR715RGBW is a mini wall washer with excellent performance. It is 39.5mm long, but its width of covering wall is 5m. Because the light source is 7pcs*8W RGBWAP LEDs. IR remote control is included. The house is made of extruded aluminum and die-cast aluminum cover. The ingress protection rating is IP20. However, there is no glue was used into the light. LEDPAR715RGBW has won many certifications, including the CE, ROHS and so on.

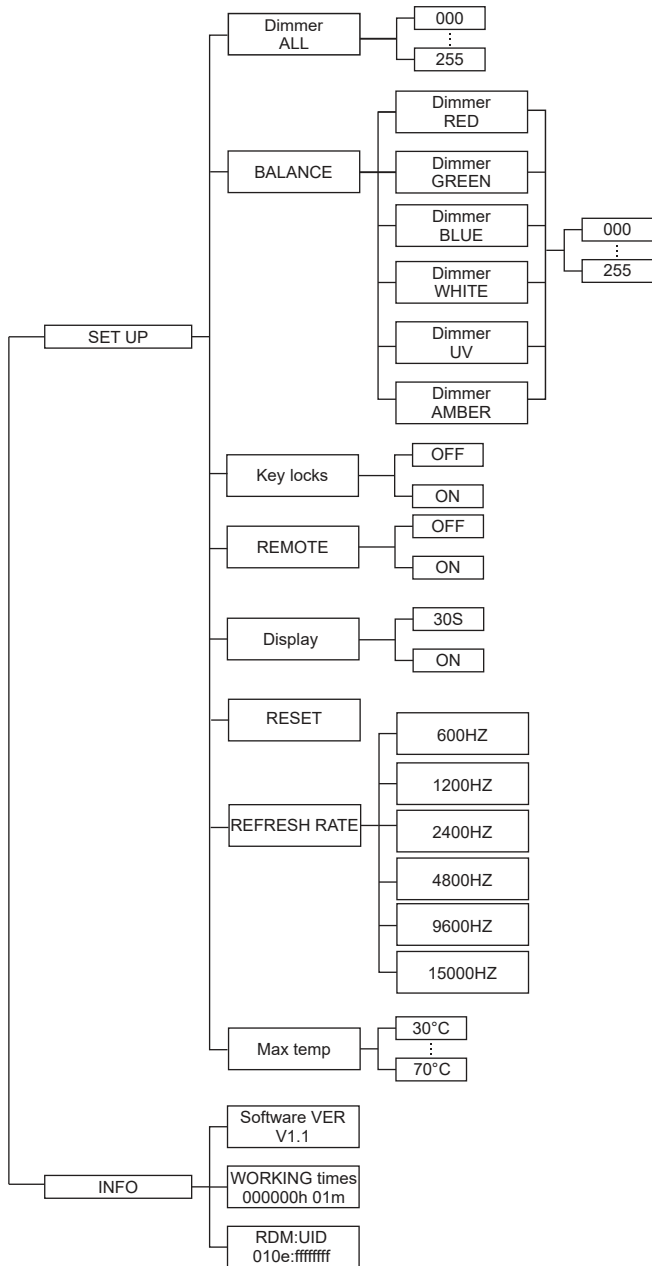
Notice: Be sure to follow figures two and three when making your own cables. Do not use the ground lug on the XLR connector. Do not connect the cable's shield conductor to the ground lug or allow the shield conductor to come in contact with the XLR's outer casing. Grounding the shield could cause a short circuit and erratic behavior.

Features

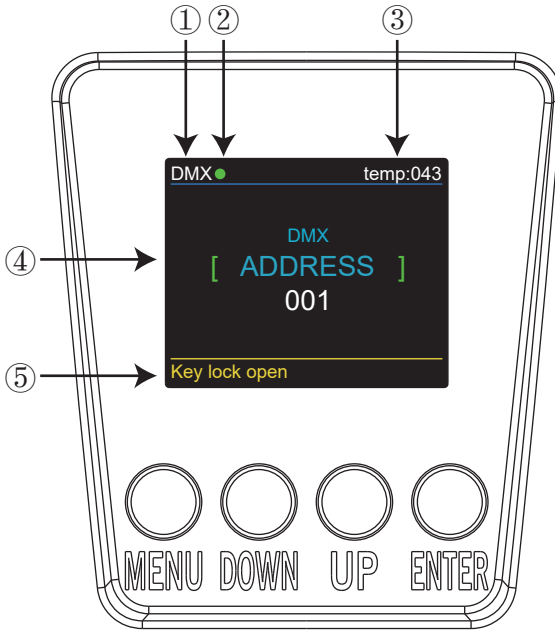
- Light Source: 7pcs , 10W 6 in 1 RGBWAUV LED
- Beam Angle:25°
- Life Time: 80000-100,000 hours
- Dimming 0-100%with regulated constant color control
- Strobe: 10 Flashed per second (any color)
- Operation Mode: DMX 512,Manual.sound.internal program
- DMX control: 4 DMX mode,(6CH,8CH,11CH,18CH)
- Control panel: Digital 4 characters alphanumeric
- Input voltage: AC100-240V, 50-60HZ (Power supply switch)
- Max Power:70W
- IP20
- Maximum Ambient Temperature: 40 C
- G.W:4kg
- Dimensions: 258 x 190 x 208 mm

Programme Menu





Displayer introduction



1. DMX means the light is in the DMX mode. Similarly, SLAVE means the light is in the SLAVE mode.
2. The color of the point shows the condition of signal transmission. Green represents the good condition, while red represents the signal is interrupted.
3. The item shows the working temperature of the light. When the working temperature exceeds the max temperature, the color of the letters and number will change from white to yellow.
4. This item shows the menu you selected.
5. This item shows the condition of key lock. "Key lock open" means the key lock is open. And "Key lock off" means the key lock is close.

DMX ADDRESS - In this menu, you can connect several pieces of lights with DMX cable and control them with control console.

1. Press "ENTER" button and then UP or DOWN button until "DMX ADDRESS " is showed.
2. Press "ENTER" button, "xxx" will be showed, "x" represents the showed address. You can press the UP or DOWN button to select your desired address.

CHANNELS MODE - In this menu, you can connect several pieces of lights with DMX cable and control them with control console.

1. Press "ENTER" button and then UP or DOWN button until "CHANNELS MODE " is showed.
2. Press "ENTER" button, "Channel [xx]" will be showed, "X" represents the showed DMX channel mode. You can press the UP or DOWN button to select your desired Channel mode.

DMX CURVE - In this menu, you can sent the DMX CURVE of lights.

1. Press "ENTER" button and then UP or DOWN button until "DMX CURVE" is showed.
2. Press "ENTER" button, and there will be four options. Then, press ENTER to select the option and press UP or DOWN button to select the value you desire.

DMX STATE - In this menu, you can sent the DMX STATE of lights.

1. Press "ENTER" button and then UP or DOWN button until "DMX STATE" is showed.
2. Press "ENTER" button, and there will be two options. Then, press ENTER to select the option and press UP or DOWN button to select the value you desire as follow:
 - 1) DMX HOLD – You can keep the DMX mode;
 - 2) BLACKOUT - You can blackout the DMX mode so that you can set other mode you desired.

SLAVE MODE - In this menu, you can select SLAVE mode. In SLAVE mode, you can select one light as the MASTER light and other lights in SLAVE mode will run following the MASTER light.

1. Press "ENTER" button and then UP or DOWN button until "SLAVE MODE" is showed.
2. Press "ENTER" button to set the slave mode.

AUTO MODE-In this menu, you can select your desire AUTO mode and adjust the running speed.

1. Press "ENTER" button and then UP or DOWN button until "AUTO" is showed.
2. Press "ENTER" button, and "SPEED" or "AUTO MODE" will be showed. Then press ENTER, and you can see two items as below:
 - 1) SPEED - You can select your desired speed in this menu.
 - 2) AUTO - You can select your desired auto mode in this menu.

MANUAL MODE – In this menu, you can adjust the value of static color and strobe speed as you like.

1. Press “ENTER” button and then UP or DOWN button until “MANUAL MODE” is showed.
2. Press “ENTER” button, and there will be five options. Then, press ENTER to select the option and press UP or DOWN button to select the value you desire as follow:
 - 1) RED - You can adjust the red brightness in this menu.
 - 2) GREEN - You can adjust the green brightness in this menu.
 - 3) BLUE - You can adjust the blue brightness in this menu.
 - 4) COLOR - You can select 55 static color in this menu.
 - 5) STROBE - You can adjust the strobe speed in this menu.

SET UP-In this menu, you can adjust the value of the function.

1. Press “ENTER” button and then UP or DOWN button until “SET UP” is showed.
2. Press “ENTER” button, and there will be eight options. Then, press ENTER to select the option and press UP or DOWN button to select the value you desire as below:
 - 1) Dimmer ALL - You can adjust the brightness of color in this menu.
 - 2) BALANCE - You can adjust the brightness of each color (R,G,B) in this menu.
 - 3) Key locks - You can select whether the password is on or off in this menu , and the password is [DOWN] + [UP] + [DOWN] + [UP] .If you select “on”, then you have to input the password before pressing the buttons. Otherwise, the light won’t respond to your order.
 - 4) REMOTE - In this item, you can select “ON” or “OFF”. If you select ON, the remote mode will be on. And if you select OFF , the remote mode will be off.
 - 5) Display - In this item, you can select “ON” or “30S”. If you select “ON”, the displayer will be on all the time. And if you select “30S”, the displayer will extinguish about 30S seconds later.
 - 6) RESET-In this menu, you can reset all the value of the system.
 - 7) REFRESH RATE – In this item, you can set the refresh rate.
 - 8) Max temp - You can set the your desired Max working temperature about the light in this menu. When the working temperature of the light exceeds the Max temperature, the color of letter“Temp xx” showed in the menu will change from white to yellow. Meanwhile, the light will adjust the working temperature automatically.

INFORMATION-In this menu, you can learn about the information of software, hardware and the working time of the light.

1. Press “ENTER” button and then UP or DOWN button until “INFORMATION” is showed.
2. Press “ENTER” button, and “Software” “Hardware” or “Fix times” will be showed. Then press ENTER, and you can see three items as below:
 - 1) Software Ver - This item displays the Software information.
 - 2) WORKING TIMES - This item displays the Working time.
 - 3) RDM: UID - This item displays the RDM Version.

DMX control mode

DMX 6 channel

channel	value	function
1	0 - 255	Red dimmer
2	0 - 255	Green dimmer
3	0 - 255	Blue dimmer
4	0 - 255	White dimmer
5	0 - 255	Amber dimmer
6	0 - 255	UV dimmer

DMX 8 channel

channel	value	function
1	0 - 255	Master dimmer
2	0 - 255	Red dimmer
3	0 - 255	Green dimmer
4	0 - 255	Blue dimmer
5	0 - 255	White dimmer
6	0 - 255	Amber dimmer
7	0 - 255	UV dimmer
8		strobe
	000 - 009	led on
	010 - 255	strobe1(slow to fast)

DMX 11 channel

channel	value	function
1	0 - 255	Master dimmer
2	0 - 255	Red dimmer
3	0 - 255	Green dimmer
4	0 - 255	Blue dimmer
5	0 - 255	White dimmer
6	0 - 255	Amber dimmer
7	0 - 255	UV dimmer
8	000-009	led on
	010-255	strobe(slow to fast)
9	000-011	No Function
	012-174	Static Color
	175-189	3200k
	190-204	5600k
	205-219	6500k
	220-234	8500k
	235-249	10000k
250-255	Default	
10	000-020	No Function
	021-030	Auto 1
	031-040	Auto 2
	041-050	Auto 3

channel	value	function
10	051-060	Auto 4
	061-070	Auto 5
	071-080	Auto 6
	081-090	Auto 7
	091-100	Auto 8
	101-110	Auto 9
	111-120	Auto 10
	121-220	Sound Mode
	221-255	reserved
11	0-255	Speed slow to fast

DMX 18 channel

channel	value	function
1	0 - 255	Master dimmer
2	0 - 255	Mater micro dimmer
3	0 - 255	Red dimmer
4	0 - 255	Micro Red dimmer
5	0 - 255	Green dimmer
6	0 - 255	Micro Green dimmer
7	0 - 255	Blue dimmer
8	0 - 255	Micro Blue dimmer
9	0 - 255	White dimmer
10	0 - 255	Micro white dimmer
11	0 - 255	Amber dimmer
12	0 - 255	Micro amber dimmer
13	0 - 255	UV dimmer
14	0 - 255	Micro uv dimmer
15		strobe
	000-009	led on
	010-255	strobe(slow to fast)
16	000-009	No Function
	010-174	Static Color
	175-189	3200k
	190-204	5600k
	205-219	6500k
	220-234	8500k
	235-249	10000k
	250-255	Default
17	000-020	No Function
	021-030	Auto 1
	031-040	Auto 2
	041-050	Auto 3
	051-060	Auto 4
	061-070	Auto 5
	071-080	Auto 6

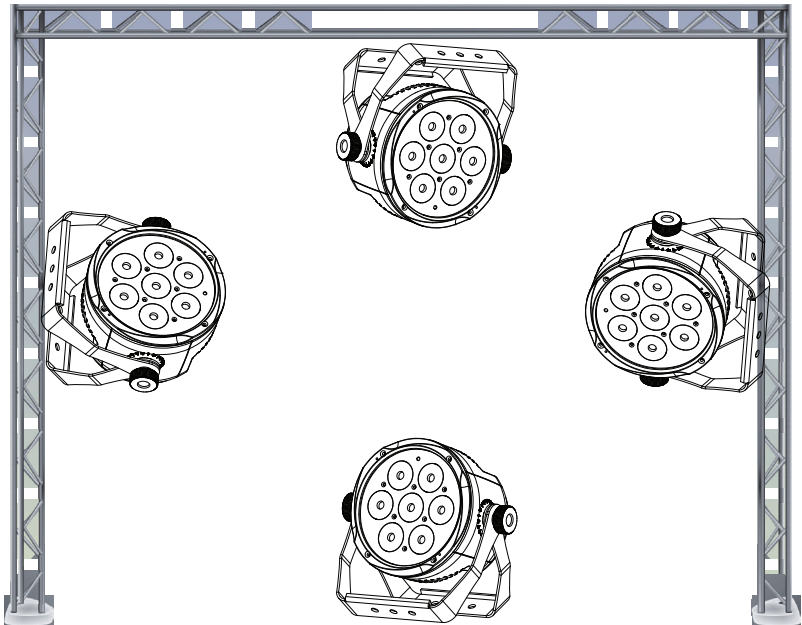
channel	value	function
17	081-090	Auto 7
	091-100	Auto 8
	101-110	Auto 9
	111-120	Auto 10
	121-255	reserved
18	0-255	Speed slow to fast

Mounting

When installing the unit, the trussing or area of installation must be able to hold 10 times the weight without any deformation. When installing the unit must be secured with a secondary safety attachment, e.g. and appropriate safety cable. Never stand directly below the unit when mounting, removing, or servicing the unit.

Overhead mounting requires extensive experience, including calculating working load limits, installation material being used, and periodic safety inspection of all installation material and unit. If you lack these qualifications, do not attempt the installation yourself.

The installation should be checked by a skilled person once a year.

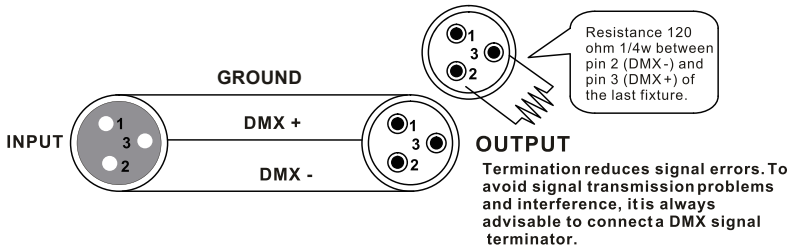


The LEDPAR715RGBW is fully operational in two different mounting positions, hanging upside-down from a ceiling or set on a flat level surface. To avoid internal damage to the unit, never mount the unit on its side as illustrated above. Be sure this fixture is kept at least 0.5m away from any flammable materials (decoration etc.). And you'd better use and install the supplied safety cable as a safety measure to prevent accidental damage and/or injury in the event the clamp fails (see next page).

CABLE CONNECTORS

Cabling must have a male XLR connector on one end and a female XLR connector on the other end.

DMX connector configuration



caution: Do not allow contact between the ground and the fixture's chassis ground. Grounding the ground can cause a ground loop, and your fixture may perform erratically. Test cables with an ohm meter to verify positive pole and to make sure the pins are not grounded or shorted to the shield or each other.

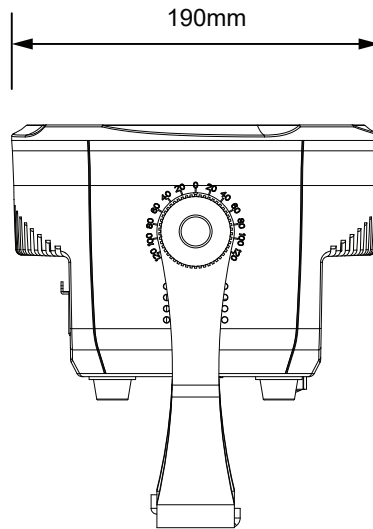
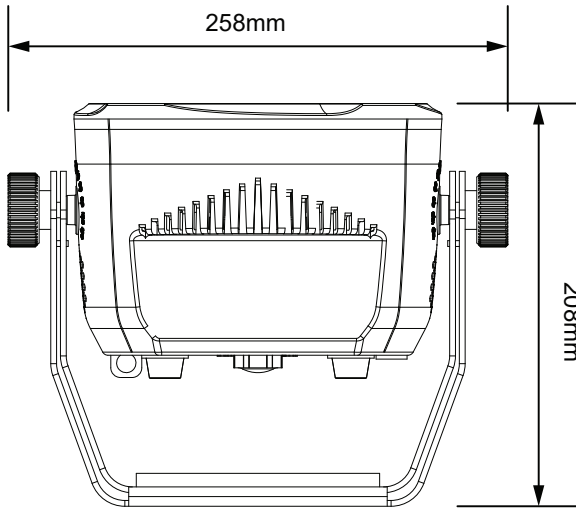
3-PIN TO 5-PIN CONVERSION CHART

Note! If you use a controller with a 5 pin DMX output connector, you need to use a 5 pin to 3 pin adapter. The chart below details a proper cable conversion:

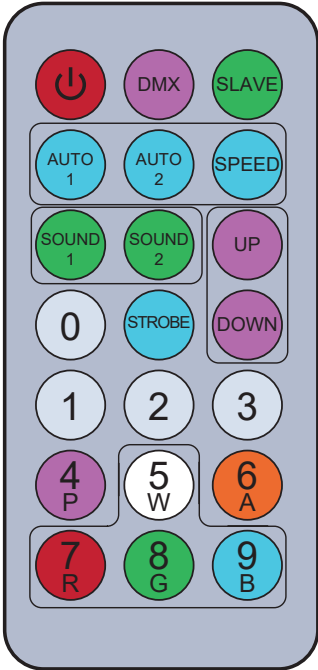
3-PIN TO 5-PIN CONVERSION CHART

Conductor	3 Pin Female (output)	5 Pin Male (Input)
Ground/Shield	Pin 1	Pin 1
Data (-) signal	Pin 2	Pin 2
Data (+) signal	Pin 3	Pin 3
Do not use		Do not use
Do not use		Do not use

Product Overview



IR Controller



Power on/off button



DMX button, to control DMX address when press this button. It is channel mode when double click.



Master-slave mode button.



Automatic mode button



Speed adjustive button



Sound mode button



Up and down button, you can choose the program that you need or numerical.



Strobe button



You can use these number button to adjust numerical in any program mode.



Color choosing button.

