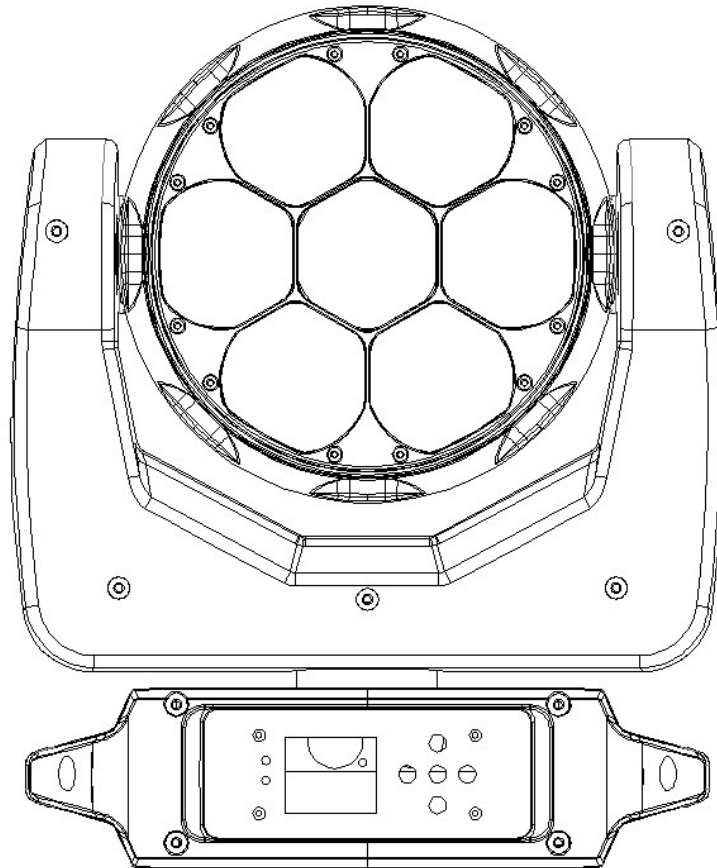


BEEZOOM740

7×40W LED Moving Head



USER MANUAL

TABLE OF CONTENTS

| | |
|---------------------------------|----|
| • Safety Instructions..... | 2 |
| • Technical Specifications..... | 4 |
| • How To Control The Unit..... | 6 |
| • Channel..... | 8 |
| • Trouble shooting..... | 13 |
| • Fixture Cleaning..... | 14 |

Statement

The product has well capability and intact packing when leave factory. All of the user should comply with warning item and manual, any misuse cause of the damages are not included in our guarantee, and also can not be responsible for any malfunction & problem owing to ignore the manual.

1 **Safety Instructions**

Please keep this User Guide for future consultation. If you sell the unit to another user, be sure that they also receive this instruction booklet.

- Unpack and check carefully there is no transportation damage before using the unit.
- Before operating, ensure that the voltage and frequency of power supply match the power requirements of the unit.
- It's important to ground the yellow/green conductor to earth in order to avoid electric shock.
- The unit is for indoor use only. Use only in a dry location.
- The unit must be installed in a location with adequate ventilation, at least 50cm from adjacent surfaces. Be sure that no ventilation slots are blocked.
- Disconnect main power before replacement or servicing.

- Make sure there are no flammable materials close to the unit while operating as it is fire hazard.
- Use safety cable when fixes this unit. DO NOT handle the unit by taking its head only, but always by taking its base.

- Maximum ambient temperature is $T_a: 40^{\circ}\text{C}$. DO NOT operate it where the temperature is higher than this Unit surface temperature may reach up to 85°C . DO NOT touch the housing bare-hand during its operation. Turn off the power and allow about 15 minutes for the unit to cool down before replacing or serving.

- In the event of serious operating problem, stop using the unit immediately. Never try to repair the unit by yourself. Repairs carried out by unskilled people can lead to damage or malfunction. Please contact the nearest authorized technical assistance center. Always use the same type spare parts.

- DO NOT touch any wire during operation as high voltage might be causing electric shock.

Warning:

- To prevent or reduce the risk of electrical shock or fire, do not expose the unit to rain or moisture.
- DO NOT open the unit within five minutes after switching off.

- The housing, the lenses, or the ultraviolet filter must be replaced if they are visibly damaged.

Caution:

There are no user serviceable parts inside the unit. DO NOT open the housing or attempt any repairs yourself. In the unlikely event your unit may require service, please contact your nearest dealer.

Installation:

The unit should be mounted via its screw holes on the bracket. Always ensure that the unit is firmly fixed to avoid vibration and slipping while operating.

And make sure that the structure to which you are attaching the unit is secure and is able to support a weight of 10 times of the unit's weight. Also always use a safety cable that can hold 12 times of the weight of the unit when installing the fixture.

The equipment must be fixed by professionals. And it must be fixed at a place where is out of the touch of people and has no one pass by or under it.

2 Technical Specifications

Light Sources: 7x40W RGBW Original LED

Power Voltage: AC 100-240V, 50/60Hz, 500w

Single LED power: 40W

Color: RGBW automatic correction 16.7 million pixels

Electronic dimmer:0 ~ 100% linear

Control

DMX Channel: 23/35/51 Channel

Control Modes: DMX512

Software Upgrade: Firmware update via DMX link

Pan/Tilt

Pan/Tilt: 540°

Construction

Display: LCD Display

Data In/Out socket: 3-pin XLR sockets Power Socket: Powercon in/out

Protection Rating: IP20

Features

Motorized liner zoom system,

zoom range: 4.5°~45° Outstanding color macro effect,CTO,Kaleido effects,led single controlled

Dimmer: 0~100% smooth dimming Variable strobe effects

Fast, quiet operation and flicker free

/ 270° Pan/Tilt Resolution: 16 bit

3 **How To Control The Unit**

The DMX512 is widely used in intelligent lighting control, with a DMX 512 controller. connect several lights together, dmx in and dmx out,

3 pin XLR connectors: Pin 1: GND, Pin 2: Negative signal (-), Pin 3: Positive signal (+)

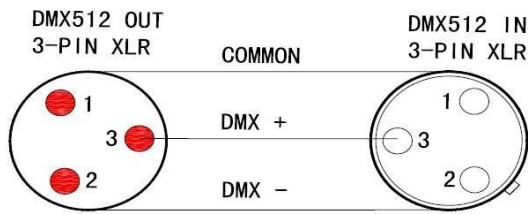
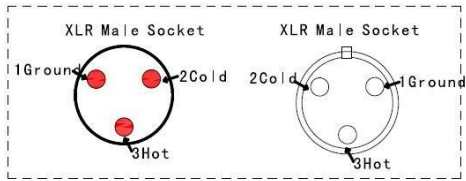


Figure2



| XLR Pin Configuration |
|---------------------------------|
| pin1=Ground |
| pin2=Data Compliment (negative) |
| pin3=Data true (positive) |

Display:

MENU To select the programming functions DOWN To go backward in the selected functions UP To go forward in the selected functions ENTER To confirm the selected functions

Set DMX Address Code

Press "Menu" to "Set DMX Address", and press "ENTER" keys to enter into Show "Set DMX Address DMX

Address:001", Press the "UP and DOWN"

keys to amended

Press "ENTER" keys to save and Exit, Press the "MENU" Keys does not save and Exit

| Menu | | | |
|----------|-----------|------------|-------|
| DmxAddr | 001 - 512 | | |
| Fix Set | Ch Mode | STD/HIS | |
| | Run Mode | DMX/Host | |
| | Pan Inv | Close/Open | |
| | Tilt Inv | Close/Open | |
| Manual | Pan | 0 - 255 | |
| | Pan Fine | 0 - 255 | |
| | Tilt | 0 - 255 | |
| | Tilt Fine | 0 - 255 | |
| | . | 0 - 255 | |
| | . | 0 - 255 | |
| | . | 0 - 255 | |
| Fix Info | TimeInfo | Cur Time | xxxh |
| | | Show Time | xxxh |
| | | PowerCnt | xxx |
| | SenSor | Pan | OK/NG |
| | | Tilt | OK/NG |
| | | Zoom | OK/NG |
| | | Temp | OK/NG |
| | | Fan | OK/NG |

| | | | |
|----------|-----------|------------|----------|
| | TemplInfo | Temprat | xxx C |
| | | FanSpeed | xxxx RPM |
| | Soft Ver | Panel | Vx.xxx |
| | | Motor | Vx.xxx |
| Home Set | Password | 0 - 255 | |
| | Pan | 0 - 255 | |
| | Tilt | 0 - 255 | |
| | Zoom | 0 - 255 | |
| | Red | 0 - 255 | |
| | Green | 0 - 255 | |
| | Blue | 0 - 255 | |
| | White | 0 - 255 | |
| FixReset | Reset | Cance/Run | |
| | Factory | Cance/Run | |
| Display | Language | EN/CH | |
| | DispFlip | Open/Close | |
| | DispMode | Show/60s | |

DMX channel's functions and values (23/35/51 DMX channels):

| Channel list(23 channels) | | | |
|---------------------------|----------|-----------|-----------------------------------|
| chs | function | DMX value | description |
| 1 | X | 0-255 | 0-540 degree |
| 2 | X fine | 0-255 | 16 bit |
| 3 | Y | 0-255 | 0-205 degree |
| 4 | Y fine | 0-255 | 16 bit |
| 5 | XY speed | 0-255 | Fast-slow |
| 6 | zoom | 0-255 | Angle from small-big |
| 7 | rotating | 0-127 | 0~60 degree |
| | | 128-191 | Antiwise fast-slow |
| | | 200-255 | Forward slow-fast |
| 8 | dimmer | 0-255 | From dark-bright |
| 9 | strobe | 0-3 | on |
| | | 4-200 | Synchronous strobe from slow-fast |
| | | 201-215 | Random strobe in low speed |

| | | | |
|----|----------------------|---------|-------------------------------|
| | | 216-234 | Random strobe in middle speed |
| | | 235-255 | Random strobe in high speed |
| 10 | R dimmer | 0-255 | From dark-bright |
| 11 | G dimmer | 0-255 | From dark-bright |
| 12 | B dimmer | 0-255 | From dark-bright |
| 13 | W dimmer | 0-255 | From dark-bright |
| 14 | CT | 0-255 | Linear CT control |
| 15 | wash | 0-255 | Inner color gradual change |
| 16 | Static effect | 0-255 | 5 no. One effect |
| 17 | Dynamic effect | 0-255 | 5 no. One effect |
| 18 | Dynamic effect speed | 0-127 | Forward from fast-slow |
| | | 128-255 | Reverse from slow-fast |
| 19 | Background R | 0-255 | Dark-bright |
| 20 | Background G | 0-255 | Dark-bright |
| 21 | Background B | 0-255 | Dark-bright |
| 22 | Background W | 0-255 | Dark-bright |
| 23 | reset | 0-199 | invalid |
| | | 200-205 | Reset after 5 seconds |
| | | 206-255 | invalid |

| chs | function | DMX value | description |
|-----|-------------|-----------|---|
| 1 | red | 0-255 | Red dimmer |
| 2 | Red fine | 0-255 | Red dimmer fine |
| 3 | green | 0-255 | Green dimmer |
| 4 | Green fine | 0-255 | Green dimmer fine |
| 5 | blue | 0-255 | Blue dimmer |
| 6 | Blue fine | 0-255 | Blue dimmer fine |
| 7 | white | 0-255 | White dimmer |
| 8 | White fine | 0-255 | White dimmer fine |
| 9 | CT | 0-255 | Linear CT control |
| 10 | Color Macro | 0-255 | Color Macro function |
| 11 | strobe | 0-3 | off |
| | | 4-103 | Synchronous strobe slow-fast (1HZ-25HZ) |
| | | 104-107 | on |

| | | | |
|----|---------------------|---------|---|
| | | 108-207 | Divide strobe from slow-fast (1HZ-25HZ) |
| | | 208-212 | on |
| | | 213-225 | Random strobe in low speed |
| | | 226-238 | Random strobe in middle speed |
| | | 239-251 | Random strobe in high speed |
| | | 252-255 | on |
| 12 | dimmer | 0-255 | Linear dimmer from dark-bright |
| 13 | Dimmer fine | 0-255 | Dimmer fine |
| 14 | pan | 0-255 | pan |
| 15 | Pan fine | 0-255 | Pan fine |
| 16 | tilt | 0-255 | tilt |
| 17 | Tilt fine | 0-255 | Tilt fine |
| 18 | function | 0-255 | |
| 19 | reset | 0-199 | invalid |
| | | 200-205 | Reset after 5 seconds |
| | | 206-255 | invalid |
| 20 | zoom | 0-255 | zoom |
| 21 | Lens rotating | 0-127 | 0~60 degree |
| | | 128-191 | Forward limitless rotate |
| | | 192-255 | Reverse limitless rotate |
| 22 | pattern | 0-255 | Pattern rotate |
| 23 | Pattern speed | 0-255 | Pattern speed |
| 24 | Pattern effect fade | 0-255 | |
| 25 | Pattern effect R | 0-255 | |
| 26 | Pattern effect G | 0-255 | |
| 27 | Pattern effect B | 0-255 | |
| 28 | Pattern effect W | 0-255 | |
| 29 | Pattern dimmer | 0-255 | Pattern 0-100% dimmer |
| 30 | Background dimmer | 0-255 | Background 0-100% dimmer |
| 31 | Pattern transition | 0-255 | |
| 32 | Pattern angle | 0-255 | Pattern design |
| 33 | Prospect strobe | 0-255 | Prospect strobe (with 11 chs) |
| 34 | Background strobe | 0-255 | Background strobe (with 11 chs) |
| 35 | Background | 0-255 | |

| | | | |
|--|-----------|--|--|
| | selection | | |
|--|-----------|--|--|

Channel list(51 channels)

| chs | function | DMX value | description |
|-----|----------------------|-----------|-------------------------------|
| 1 | X | 0-255 | 0-540 degree |
| 2 | X fine | 0-255 | 16 bit |
| 3 | Y | 0-255 | 0-205 degree |
| 4 | Y fine | 0-255 | 16 bit |
| 5 | XY speed | 0-255 | Fast-slow |
| 6 | zoom | 0-255 | Small-big |
| 7 | rotating | 0-127 | 0~60 degree |
| | | 128-191 | Forward fast-slow |
| | | 200-255 | Reverse slow-fast |
| 8 | dimmer | 0-255 | Dark-bright |
| 9 | strobe | 0-3 | on |
| | | 4-200 | Synchronous strobe slow-fast |
| | | 201-215 | Random strobe in low speed |
| | | 216-234 | Random strobe in middle speed |
| | | 235-255 | Random strobe in high speed |
| 10 | R dimmer | 0-255 | |
| 11 | G dimmer | 0-255 | |
| 12 | B dimmer | 0-255 | |
| 13 | W dimmer | 0-255 | |
| 14 | CT | 0-255 | Linear CT control |
| 15 | Wash | 0-255 | |
| 16 | Static effect | 0-255 | 5 no. One effect |
| 17 | Dynamic effect | 0-255 | 5 no. One effect |
| 18 | Dynamic effect speed | 0-127 | Forward fast-slow |
| | | 128-255 | Reverse slow-fast |
| 19 | Background R | 0-255 | Dark-bright |
| 20 | Background G | 0-255 | Dark-bright |
| 21 | Background B | 0-255 | Dark-bright |
| 22 | Background W | 0-255 | Dark-bright |
| 23 | reset | 0-199 | invalid |
| | | 200-205 | Reset after 5s |
| | | 206-255 | invalid |

| | | | |
|-----|---------------|-------|---------------|
| 24 | R1 LED dimmer | 0-255 | R1 LED dimmer |
| 25 | G1 LED dimmer | 0-255 | G1 LED dimmer |
| 26 | B1 LED dimmer | 0-255 | B1 LED dimmer |
| 27 | W1 LED dimmer | 0-255 | W1 LED dimmer |
| ... | ... | | |
| ... | ... | | |
| 48 | R7 LED dimmer | 0-255 | R7 LED dimmer |
| 49 | G7 LED dimmer | 0-255 | G7 LED dimmer |
| 50 | B7 LED dimmer | 0-255 | B7 LED dimmer |
| 51 | W7 LED dimmer | 0-255 | W7 LED dimmer |

4 **Trouble shooting**

Following are a few common problems that may occur during operation. Here are some suggestions for easy troubleshooting:

- **The unit does not work, no light and the fan does not work**
 - Check the connection of power and main fuse.
 - Measure the mains voltage on the main connector.
 - Check the power on LED.
- **Not responding to DMX controller**
 - DMX LED should be on. If not, check DMX connectors, cables to see if link properly.
 - If the DMX LED is on and no response to the channel, check the address settings and DMX polarity.
 - If you have intermittent DMX signal problems, check the pins on connectors or on PCB of the unit or the previous one.
 - Try to use another DMX controller.
 - Check if the DMX cables run near or run alongside to high voltage cables that may cause damage or interference to DMX interface circuit.
- **One of the channels is not working well**
 - The stepper motor might be damaged or the cable connected to the PCB is broken.

6. **Fixture Cleaning**

The cleaning of internal and external optical lenses and/or mirrors must be carried out periodically to optimize light output. Cleaning frequency depends on the environment in which the fixture operates: damp, smoky or particularly dirty surrounding can cause greater accumulation of dirt on the unit's optics.

1. **Clean with soft cloth using normal glass cleaning fluid.**
2. **Always dry the parts carefully.**
3. **Clean the external optics at least every 20 days. Clean the internal optics at least every 30/60 days.**